

## VesseLINK™ Installation Guide

*This document contains technology controlled for export by the U.S. Department of Commerce in accordance with Export Administration Regulations. Diversion contrary to U.S. law prohibited.*



**RECORD OF CHANGES**

Rev	Date	Description of Change	Author
Rev A	July 2018	Initial Release	SJacques
Rev B	Sept 2018	ECN 42140 <ul style="list-style-type: none"> <li>Update based on Beta user feedback and testing</li> </ul>	SJacques
Rev C	Jan 2020	ECN 43090 <ul style="list-style-type: none"> <li>Update includes mounting hardware kit corrections</li> <li>Added 700 kbps</li> </ul>	SJacques

---

**WARNING – INFORMATION SUBJECT TO EXPORT CONTROL RESTRICTIONS**

---

*This document contains technology controlled for export by the U.S. Department of Commerce in accordance with Export Administration Regulations (EAR). Diversion contrary to U.S. law prohibited. Include this notice with any reproduced portion of this document.*

**Export Compliance:**

This product is controlled by the export laws and regulations of the United States of America. The U.S. Government may restrict the export or re-export of this product to certain individuals and/or destinations. For further information, contact the U.S. Department of Commerce, Bureau of Industry and Security.

This product User shall comply with all applicable laws related to export and import of this product in any jurisdiction and/or government authority. User shall be responsible for complying with any and all export and import restrictions, laws and regulations in any country User is conducting business.

**Disclaimer:**

This manual contains information that is current as of the date shown on the front cover. Every effort has been made to ensure the correctness and completeness of the material in this document. The information in this document is subject to change without notice. Thales®, Thales VesseLINK™, and any other Thales trademark or Thales service mark referred to or displayed in this document are trademarks or registered trademarks of Thales.

**Legal Notices**

This product is subject to a Limited Warranty, Limitations, Exclusions, and Terms and Conditions, which can be found on line at [www.thalesdsi.com](http://www.thalesdsi.com).

Prior to Installing this product, read and understand this Installation Guide and the User Manual, including the safety warnings and information. Failure to do so could result in serious injury or death.

**Intellectual Property**

User acknowledges that the Products involve valuable patent, copyright, trademark, trade secret and other proprietary rights of Thales and others. No title to or ownership of any proprietary rights related to any Product is transferred to User or any Customer pursuant to the use of this product. The purchase of any Thales products shall not be deemed to grant either directly or by implication or otherwise, any license under copyrights, patents, or patent applications of Thales or any third party software providers, except for the normal, nonexclusive, royalty free license to use that arises by operation of law in the sale of a product.

**Content Copyright**

User is exclusively responsible for the use of this product, including proper use of third party copyrighted materials. If the User violates these terms, the User agrees to defend, indemnify and hold Thales harmless with respect to any claims or actions by third parties related to the improper use of copyrighted material and to pay all costs, damages, fines and other amounts incurred by Thales, or on its behalf, in the defense of any such claims or actions.

**Indemnity**

User agrees to defend, indemnify and hold Thales harmless with respect to any claims or actions by any governmental entities or other third parties related to any violation of law with use of the Product or Accessories, misuse of the Product or Accessories under these Terms and Conditions, or any other violation of these Terms and Conditions and further agrees to pay all costs, damages, fines and other amounts incurred by Thales, or on Thales's behalf, in the defense of any such claims or actions.

**SOFTWARE LICENSE**

The following terms govern User's access and use of the Thales-supplied software ("Software") contained on the Product or Accessories.

**License.** Conditioned upon compliance with these Terms and Conditions, Thales grants to USER a nonexclusive and nontransferable license to use for USER's internal purposes the Software and the Documentation. "Documentation" means any written information pertaining to the Software and made available by Thales with the Software in any manner. USER shall use the Software solely as embedded for operation of this product.

**No other licenses are granted by implication, estoppel or otherwise.**

**Thales Product Warranty Claim Process**

Please see the Thales website at [www.thalesdsi.com](http://www.thalesdsi.com).

**User Documentation:**

THALES DEFENSE & SECURITY, INC. CONTINUALLY EVALUATES ITS USER DOCUMENTATION FOR ACCURACY AND COMPLETENESS. ANY SUGGESTIONS YOU MAY HAVE FOR CHANGES OR ADDITIONS SHOULD BE SENT TO [THALES\\_ILS@THALESDSI.COM](mailto:THALES_ILS@THALESDSI.COM) SUBJECT LINE: THALES VESSELINK™ INSTALLATION GUIDE (PN 84464).

## TABLE OF CONTENTS

<b>CHAPTER 1 INTRODUCTION.....</b>	<b>1-1</b>
INTRODUCTION .....	1-1
EQUIPMENT OVERVIEW .....	1-1
Below Deck Unit (BDU) .....	1-2
Above Deck Unit (ADU) / Antenna .....	1-5
VESSELINK™ KIT COMPONENTS.....	1-6
TOOLS AND SUPPLIES NEEDED FOR INSTALLATION.....	1-7
<b>CHAPTER 2 INSTALLATION.....</b>	<b>2-1</b>
GENERAL GUIDELINES .....	2-1
Preparation .....	2-1
Precautions During Installation.....	2-1
INSTALLATION .....	2-2
MOUNTING THE ABOVE DECK UNIT (ANTENNA) .....	2-2
ANTENNA DIMENSIONS AND HOLE PATTERN.....	2-5
Installation of ADU / Antenna.....	2-6
INSTALLING THE BELOW DECK UNIT .....	2-11
CONNECTING POWER TO THE BDU.....	2-14
DC Power Connection .....	2-15
SYSTEM STATUS INDICATORS .....	2-17
<b>CHAPTER 3 TROUBLESHOOTING .....</b>	<b>3-1</b>
TROUBLESHOOTING.....	3-1
<b>CHAPTER 4 TECHNICAL SPECIFICATIONS .....</b>	<b>4-1</b>
TECHNICAL SPECIFICATIONS.....	4-1
CONNECTOR DETAILS:.....	4-3
General Purpose Inputs / Outputs (GPIO) .....	4-3
BDU 12V Connection Detail.....	4-4
BDU 10-32VDC Connection Detail.....	4-4
<b>CHAPTER 5 ACRONYMS / GLOSSARY .....</b>	<b>5-1</b>
ACRONYMS / GLOSSARY .....	5-1
APPENDIX A ANTENNA MOUNTING PLATE TEMPLATE (PN 3900014-1) .....	A-1
APPENDIX B BDU MOUNTING PLATE TEMPLATE (PN 3900011-1).....	B-1
APPENDIX C ANTENNA POLE MOUNTING (OPTIONAL).....	C-1

## LIST OF FIGURES

FIGURE 1-1 THALES VESSELINK™ SYSTEM WITH ACCESSORIES .....	1-1
FIGURE 1-2 BELOW DECK UNIT (BDU) .....	1-2
FIGURE 1-3 BELOW DECK UNIT (BDU) LEDs.....	1-3
FIGURE 1-4 BELOW DECK UNIT (BDU) FRONT PANEL DETAIL .....	1-4
FIGURE 1-5 BELOW DECK UNIT (BDU) BACK PANEL DETAIL.....	1-4
FIGURE 1-6 ABOVE DECK UNIT (ADU) / ANTENNA .....	1-5
FIGURE 2-1 PLACING ANTENNA FOR OPTIMUM PERFORMANCE .....	2-3
FIGURE 2-2 RECOMMENDED ANTENNA PLACEMENT WITH EXISTING RADAR .....	2-4
FIGURE 2-3 ANTENNA DIMENSION AND HOLE PATTERN (1 OF 2).....	2-5
FIGURE 2-4 ANTENNA DIMENSION AND HOLE PATTERN (2 OF 2).....	2-6
FIGURE 2-5: MOUNTING HOLES IN BOTTOM OF ANTENNA AND MOUNTING TEMPLATE (INCLUDED IN KIT).....	2-7
FIGURE 2-6 ABOVE DECK UNIT / ANTENNA INSTALLATION (M6 HARDWARE).....	2-8
FIGURE 2-7 ABOVE DECK UNIT / ANTENNA INSTALLATION (M10 HARDWARE).....	2-10
FIGURE 2-6 BELOW DECK UNIT (BDU) MOUNTING DETAIL .....	2-11
FIGURE 2-7 SIM CARD WITH COVER OPENED .....	2-12
FIGURE 2-8 INSTALLING SIM CARD AND ENGAGING THE LOCK .....	2-13
FIGURE 2-9 SECURE THE SIM CARD COVER .....	2-13
FIGURE 2-10 AC/DC POWER SUPPLY .....	2-14
FIGURE 2-11 24V DC POWER CONNECTION .....	2-15
FIGURE 2-12 24V DC POWER CONNECTION .....	2-16
FIGURE 2-13 BELOW DECK UNIT (BDU) LEDs.....	2-17
FIGURE 4-1 GPIO CONNECTOR PIN DETAIL .....	4-3
FIGURE 4-2 12V INPUT AND MATING CONNECTOR DETAIL .....	4-4
FIGURE 4-3 10-32 VDC AND MATING CONNECTOR DETAIL.....	4-4
FIGURE C-1 THALES ANTENNA MOUNTING BRACKET (SHOWN WITH POLES, NOT INCLUDED) .....	1
FIGURE C-2 THALES ANTENNA POLE MOUNT KIT – M6 (PN 85736-001).....	2
FIGURE C-3 THALES ANTENNA POLE MOUNT KIT – M10 (PN 85739-001).....	3

## LIST OF TABLES

TABLE 1-1 BELOW DECK UNIT (BDU) LED STATUS .....	1-3
TABLE 1-2 STANDARD VESSELINK™ KIT, LIST OF EQUIPMENT .....	1-6
TABLE 1-3 AVAILABLE VESSELINK™ ACCESSORIES .....	1-7
TABLE 2-1 INSTALLATION KIT, MOUNTING HARDWARE (M6 HARDWARE).....	2-8
TABLE 2-2 INSTALLATION KIT, MOUNTING HARDWARE (M10 HARDWARE).....	2-10
TABLE 2-3 INSTALLATION KIT, BELOW DECK UNIT (BDU) (PN 1100789-501).....	2-11
TABLE 2-4 BELOW DECK UNIT (BDU) LED STATUS .....	2-17
TABLE 3-1 TROUBLESHOOTING.....	3-1
TABLE 4-1 TECHNICAL SPECIFICATIONS .....	4-1
TABLE 4-2 GPIO CONNECTOR PIN DEFINITION .....	4-3
TABLE 5-1 LIST OF ACRONYMS.....	5-1
TABLE 5-2 LIST OF DEFINITIONS.....	5-2

## SAFETY

The VesseLINK™ system should only be installed by a qualified professional installer of Maritime electronic systems. Improper installation could lead to system failure or could result in injury to personnel on board the vessel. The following are general safety precautions and warnings that all personnel must read and understand prior to installation, operation and maintenance of the VesseLINK™ system. Each chapter may have other specific warnings and cautions.



**WARNING**

### **SHOCK HAZARD**

The VesseLINK™ system is a sealed system and is not meant to be opened for repair in the field by operators or technicians. Covers must remain in place at all times on the BDU and ADU to maintain the warranty terms. Make sure the system is correctly grounded and power is off when installing, configuring and connecting components.



**WARNING**

### **DO NOT OPERATE IN AN EXPLOSIVE ATMOSPHERE**

This equipment is not designed to be operated in explosive environments or in the presence of combustible fumes. Operating this or any electrical equipment in such an environment represents an extreme safety hazard.



**CAUTION**

### **LITHIUM ION BATTERIES**

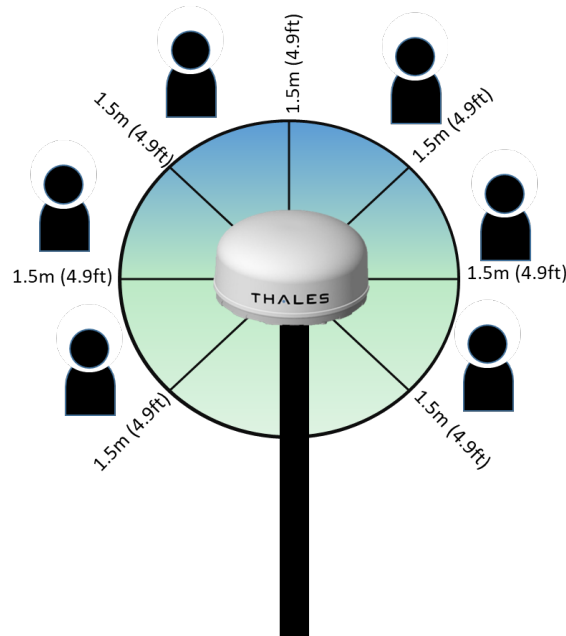
The Below Deck Unit (BDU) contains a small Li-ion hold-up battery. Li-ion batteries have a very high energy density. Exercise precaution when handling and testing. Do not short circuit, overcharge, crush, mutilate, nail penetrate, apply reverse polarity, expose to high temperature or disassemble. High case temperature resulting from abuse of the cell could cause physical injury.



## ANTENNA RADIATION HAZARDS

To comply with FCC Radio Frequency radiation exposure limits, the antenna must be installed at a minimum safe distance as shown below.

During operation, the antenna radiates high power at microwave frequencies that can be harmful to individuals. While the unit is operating, personnel should maintain a minimum safe distance of **1.5 meters (4.9 ft.)** from the antenna. The antenna should be mounted in an area that prevent the possibility of close exposure to the antenna's radiation.





## FCC Information



### NOTE

FCC Identifier: OKCVF350BM  
Contains FCC ID: QQQWF121

Changes or modifications not expressly approved by the manufacturer could void the user's authority to operate the equipment.

### Note:

This equipment has been tested and found to comply with the limits for a [Class B digital device](#), pursuant to part 15 of the FCC Rules. These limits are designed to provide reasonable protection against [harmful interference](#) in a residential installation. This equipment generates, uses and can radiate [radio frequency energy](#) and, if not installed and used in accordance with the instructions, may cause [harmful interference](#) to radio communications. However, there is no guarantee that interference will not occur in a particular installation. If this equipment does cause [harmful interference](#) to radio or television reception, which can be determined by turning the equipment off and on, the user is encouraged to try to correct the interference by one or more of the following measures:

- Reorient or relocate the receiving antenna.
- Increase the separation between the equipment and receiver.
- Connect the equipment into an outlet on a circuit different from that to which the receiver is connected.
- Consult the dealer or an experienced radio/TV technician for help.

## Industry Canada Information



### NOTE

Industry Canada: 473C-VF350BM  
Contains IC: 5123A-BGTWF121

Under Industry Canada regulations, this radio transmitter may only operate using an antenna of a type and maximum (or lesser) gain approved for the transmitter by Industry Canada. To reduce potential radio interference to other users, the antenna type and its gain should be so chosen that the equivalent isotropically radiated power (e.i.r.p.) is not more than that necessary for successful communication.

*Conformément à la réglementation d'Industrie Canada, le présent émetteur radio peut fonctionner avec une antenne d'un type et d'un gain maximal (ou inférieur) approuvé pour l'émetteur par Industrie Canada. Dans le but de réduire les risques de brouillage radioélectrique à l'intention des autres utilisateurs, il faut choisir le type d'antenne et son gain de sorte que la puissance isotrope rayonnée équivalente (p.i.r.e.) ne dépasse pas l'intensité nécessaire à l'établissement d'une communication satisfaisante.*

This radio transmitter (473C-VF350BM) has been approved by Industry Canada to operate with the antenna listed in Table 4-1 with the maximum permissible gain and required antenna impedance for each antenna type indicated. Antenna types not included in this list, having a gain greater than the maximum gain indicated for that type, are strictly prohibited for use with this device.

*Le présent émetteur radio (473C-VF350BM) a été approuvé par Industrie Canada pour fonctionner avec les types d'antenne énumérés ci-dessous et ayant un gain admissible maximal et l'impédance requise pour chaque type d'antenne. Les types d'antenne non inclus dans cette liste, ou dont le gain est supérieur au gain maximal indiqué, sont strictement interdits pour l'exploitation de l'émetteur.*

This device complies with Industry Canada license-exempt RSS standard(s). Operation is subject to the following two conditions: (1) this device may not cause interference, and (2) this device must accept any interference, including interference that may cause undesired operation of the device.

*Le présent appareil est conforme aux CNR d'Industrie Canada applicables aux appareils radio exempts de licence. L'exploitation est autorisée aux deux conditions suivantes: (1) l'appareil ne doit pas produire de brouillage, et (2) l'utilisateur de l'appareil doit accepter tout brouillage radioélectrique subi, même si le brouillage est susceptible d'en compromettre le fonctionnement.*

## Supplier's declaration of conformity



As required by the following Notices:

- Radiocommunications (Compliance Labelling - Devices) Notice 2014 made under section 182 of the Radiocommunications Act 1992;
- Radiocommunications Labelling (Electromagnetic Compatibility) Notice 2017 made under section 182 of the Radiocommunications Act 1992;
- Radiocommunications (Compliance Labelling – Electromagnetic Radiation) Notice 2014 made under section 182 of the Radiocommunications Act 1992; and
- Telecommunications (Labelling Notice for Customer Equipment and Customer Cabling) Instrument 2015 made under section 407 of the Telecommunications Act 1997.

### Instructions for completion

Do not return this form to the ACMA. This completed form must be retained by the supplier as part of the documentation required for the compliance records and must be made available for inspection by the ACMA when requested.

### Supplier's details

Company Name (OR INDIVIDUAL)

Braco Compliance Pty Ltd

ERAC Responsible Supplier number

E304

Street Address (Australian)

Unit 308, 469-481 High St  
Northcote, VIC 3070

OR

ACN/ARBN

84156023504

### Product details

Product description – brand name, type, current model, lot, batch or serial number (if available), software/firmware version (if applicable)

**THALES**  
Maritime Satellite Communications,  
VesseLINK™, Model VF350BM Terminal with Maritime Antenna.

### Compliance – applicable standards and other supporting documents

Evidence of compliance with applicable standards may be demonstrated by test reports, endorsed/accredited test reports, certification/competent body statements. Having had regard to these documents, I am satisfied the above mentioned product complies with the requirements of the relevant ACMA Standards made under the Radiocommunications Act 1992 and the Telecommunications Act 1997.

List the details of the documents the above statement was made, including the standard title, number and, if applicable, number of the test report/endorsed test report or certification/competent body statement.

- Radiocommunications (Electromagnetic Compatibility) Standard 2017, refer MET Laboratories Inc. test report Nos. EMC94508B-ETS489 Rev. 1 dated 15 June 2018 and EMC102479-EN dated 22 April 2019.
- Radiocommunications (Short Range Devices) Standard 2014, refer SGS Fimko CFR 47 FCC Pt 15.247 test report No. 268892-2 dated 28 June 2012.
- ETSI EN 301 441 v2.1.1, refer MET Laboratories Inc. test report No. EMC94508B-ETS441 Rev. 1 dated 16 March 2018.
- Radiocommunications (Electromagnetic Radiation - Human Exposure) Standard 2014, refer MET Laboratories Inc. test report No. EMC94508B-EN62311 dated 25 May 2018.

### Declaration

I hereby declare that:

1. I am authorised to make this declaration on behalf of the Company mentioned above,
2. the contents of this form are true and correct, and
3. the product mentioned above complies with the applicable above mentioned standards and all products supplied under this declaration will be identical to the product identified above.

**Note:** Under section 137.1 of the Criminal Code Act 1995, it is an offence to knowingly provide false or misleading information to a Commonwealth entity.  
Penalty: 12 months imprisonment

Bruce Maule  
Director  
5 August 2019

The Privacy Act 1988 (Cth) (the Privacy Act) imposes obligations on the ACMA in relation to the collection, security, quality, access, use and disclosure of personal information. These obligations are detailed in the Australian Privacy Principles.  
The ACMA may only collect personal information if it is reasonably necessary for, or directly related to, one or more of the ACMA's functions or activities.  
The purpose of collecting the personal information in this form is to ensure the supplier is identified in the 'Declaration of conformity'. If this Declaration of Conformity is not completed and the requested information is not provided, a compliance label cannot be applied.  
Further information on the Privacy Act and the ACMA's Privacy Policy is available at [www.acma.gov.au/privacy-policy](http://www.acma.gov.au/privacy-policy). The Privacy Policy contains details about how you may access personal information about you that is held by the ACMA, and seek the correction of such information. It also explains how you may complain about a breach of the Privacy Act and how we will deal with such a complaint.  
Should you have any questions in this regard, please contact the ACMA's privacy contact officer on telephone on 1800 225 997 or by email at [privacy@acma.gov.au](mailto:privacy@acma.gov.au).

## RADIO SPECTRUM MANAGEMENT



MINISTRY OF BUSINESS,  
INNOVATION & EMPLOYMENT  
HIRIKINA WHAKATUTUKI

### Braco Compliance Limited

### Supplier's declaration of conformity

As required by notices under:

- Section 134 (1) (g) of the New Zealand Radiocommunications Act 1989.

#### Supplier's details

Name (name of manufacturer, importer or agent)

Braco Compliance Limited

ERAC Responsible Supplier registration number

E178

Address (address of agent)

9 Braco Place, Ilam  
Christchurch 8041

Contact Information

Telephone: +64 21 208 4303  
Email: admin@bracocompliance.com

#### Product details

Product description – brand name, type, model, lot, batch or serial number (if available)



#### Applicable standards

Standard title, number and, if applicable, number of the test report

ETSI EN 301 489-1 v2.1.1 with ETSI EN 301 489-17 v3.1.1, refer MET Laboratories Inc. test report No. EMC94508B-ETS489 Rev. 1 dated 15 June 2018.
EN 60945:2002, refer MET Laboratories Inc. test report No. EMC102479-EN dated 22 April 2019.
ETSI EN 301 441 v2.1.1, refer MET Laboratories Inc. test report No. EMC94508B-ETS441 Rev. 1 dated 16 March 2018.
CFR 47 FCC Pt 15.247, refer SGS Fimko test report No. 266892-2 dated 28 June 2012.

#### Declaration

I hereby declare that the product mentioned above complies with the above mentioned standards, and all products supplied under this declaration will be identical to the sample identified above.

*Bruce Maule*

SIGNATURE OF SUPPLIER OR AGENT:
PRINT NAME: Bruce Maule
POSITION IN ORGANISATION: Director
DATE: 5 August 2019

# Thales Defense & Security, Inc.

## Declaration of Conformity with Radio Equipment Directive

The undersigned of this letter declares that the following equipment complies with the specifications of Radio Equipment Directive (2014/53/EU) concerning Radio & Telecommunications Equipment.

### Equipment included in this declaration

VF350BM VesseLINK Broadband Maritime Certus Satellite Terminal and Antenna

MF350BV MissionLINK Broadband Maritime Certus Satellite Terminal and Antenna

### Equipment Applicability

The VesseLINK and MissionLINK provide voice and high speed data communication over 100% of the globe through the Iridium Certus broadband Satellite system.

### Declaration

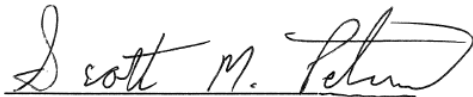
The health requirement is met by conforming to EU standard EN 62311. The safety requirement is met by conforming to EN 60950-1:2006 w/A2:2013. The electromagnetic compatibility as set out in Directive 2014/30/EU is met by conforming to the EU standards ETSI EN 301-489-1 and ETSI EN 301-489-17. Effective and efficient use of radio spectrum in order to avoid harmful interference is met by conforming to the ETSI EN 301-441 standard.

### Manufacturer

Thales Defense & Security, Inc.      22605 Gateway Center Drive  
Clarksburg, Maryland 20871 U.S.A.

### Place and Date

Clarksburg, MD, 15 August 2018



Scott Peters

Director, Product Management

## CHAPTER 1 INTRODUCTION

### Introduction

This installation guide provides instructions for proper installation and initial start-up of the VesseLINK™ system and a basic system overview. It contains critical information and safety guidelines for those who install the system and perform initial system activation and test.

After initial start-up, for more detailed operational procedures, refer to the VesseLINK™ User Manual (Document # 84469) located on the Thales website and is also accessible through the terminal's Management Portal.

### Equipment Overview

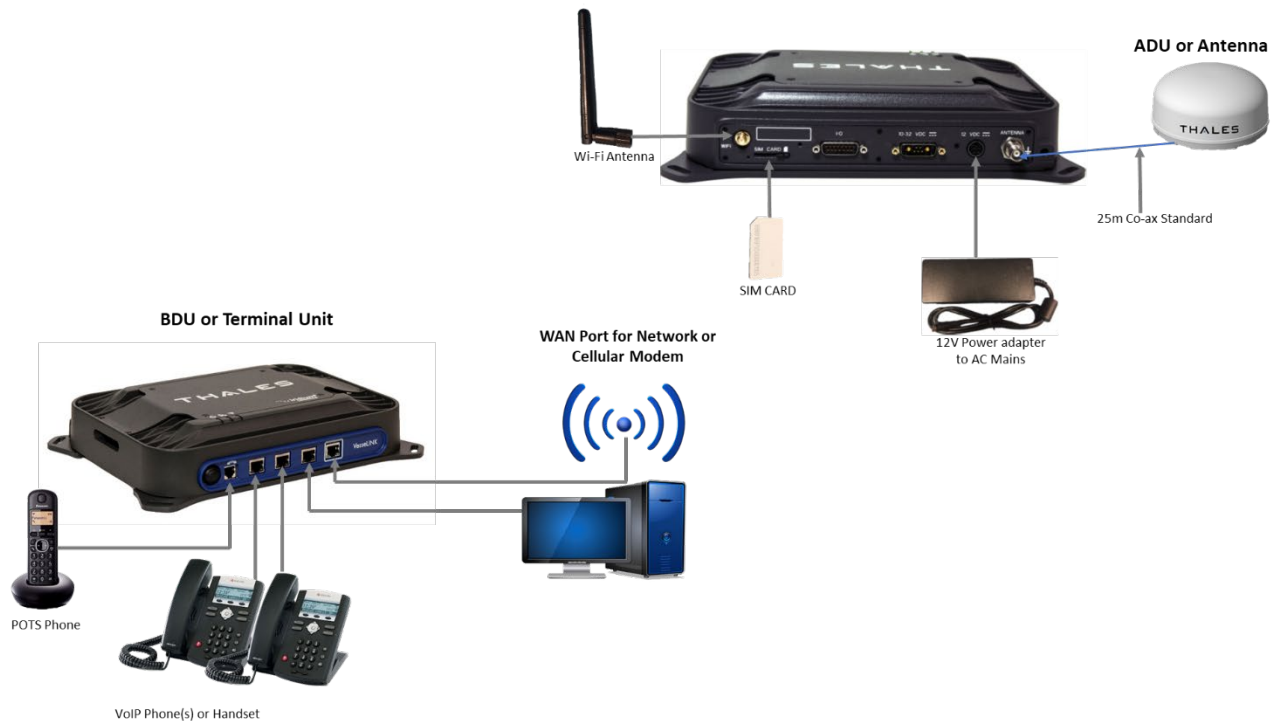


Figure 1-1 Thales VesseLINK™ System with Accessories

## Below Deck Unit (BDU)

The Below Deck Unit (BDU) supports voice and data communications in a marine environment. The BDU is capable of supporting wireless voice and data that links the user with the Iridium satellite network. As a wireless access point, the BDU provides Wi-Fi (802.11) access for data and Voice over IP (VoIP) calls. Three RJ-45 Ethernet connectors and one RJ14 jack enables the user to tether directly to the BDU, if desired. The Management Portal is a graphical user interface that can be used to modify system settings and indicate system status. The BDU is powered by an included 12 Volt AC to DC power supply. It also can be powered by an optional DC power cable with a 10-32V input range battery operation where AC power or a DC power inverter is not available.



*Figure 1-2 Below Deck Unit (BDU)*



**NOTE**

**Wi-Fi Access Point:**

The internal Wi-Fi access point is not a high capacity Wi-Fi system. If heavy simultaneous data usage is expected through Wi-Fi, it may be best to use an external commercial Wi-Fi router connected to the BDU's LAN port.

The BDU has three status LEDs on the top of the unit that indicate status of system power-up, satellite connection and the Wi-Fi.

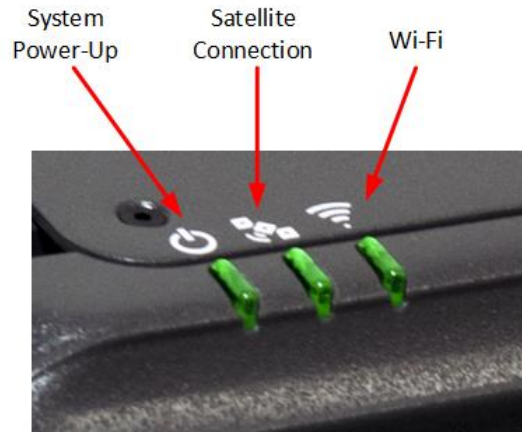





Figure 1-3 Below Deck Unit (BDU) LEDs

Table 1-1 Below Deck Unit (BDU) LED Status

Indicator	Description
 <b>System</b>	
Solid GREEN	System functioning properly
Flashing GREEN	System busy (Booting up)
Solid RED	Fault (minor issue)
Flashing RED	Critical fault (major issue)
 <b>Satellite</b>	
Solid BLUE	Connected and passing data (over satellite)
Solid GREEN	System functioning properly
Flashing GREEN	Acquiring satellite
Solid RED	Fault (minor issue)
Flashing RED	Critical fault (major issue)
 <b>Wi-Fi</b>	
OFF	Wi-Fi OFF
Flashing GREEN	Wi-Fi busy
Solid Green	System functioning properly
Solid RED	Fault (minor issue)
Flashing RED	Critical fault (major issue)



**NOTE**

The Indicator Colors are:

Solid Green: Operational

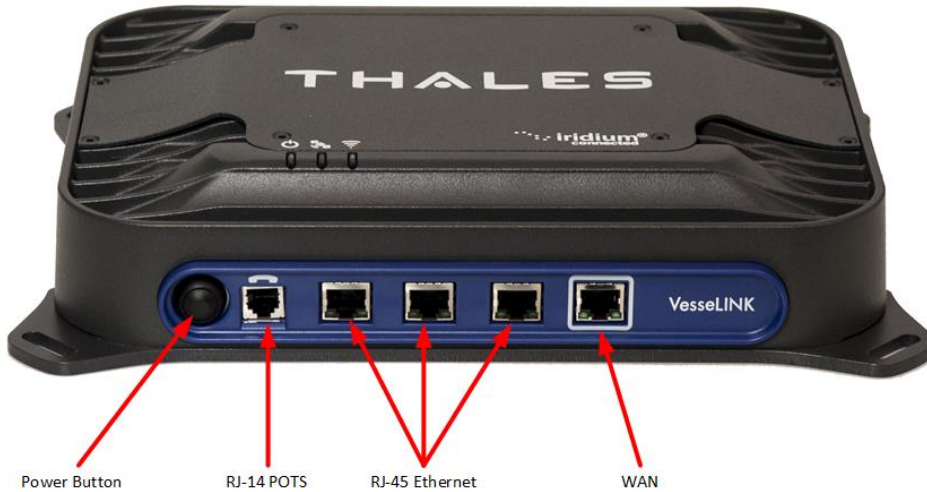
Flashing Green: start-up or in progress of configuring or acquiring service.

Solid Red: fault requires user attention (Open Management Portal for Alerts)

Flashing Red: critical fault requiring immediate attention. For additional information, refer to Chapter 3 Troubleshooting



The BDU front panel (left to right) has a main power button, one RJ-14 jack for POTS (Plain Old Telephone Service) Phone(s), three PoE (Power over Ethernet) RJ-45 connections for VoIP phones or Ethernet-based devices, and one WAN (Wide Area Network) connection primarily used to connect an external cellular modem or VSAT.



*Figure 1-4 Below Deck Unit (BDU) Front Panel Detail*

The BDU back panel (left to right) has a Wi-Fi antenna connector, reset button, SIM Card slot, GPIO (I/O) connector, 10-32 Volt DC input connector, 12 Volt DC power input, antenna connector, and chassis grounding lug.



*Figure 1-5 Below Deck Unit (BDU) Back Panel Detail*

## Above Deck Unit (ADU) / Antenna

The Above Deck Unit (ADU) or Antenna is a standalone unit that connects to the BDU through a single coaxial cable. DC power, RF transmit and receive signals, control data and GPS data are communicated between the ADU and BDU using this single coaxial cable.



*Figure 1-6 Above Deck Unit (ADU) / Antenna*

## VesseLINK™ Kit Components

The following list of equipment can be purchased as a kit and accessories and spares can be purchased separately, depending on your requirements and/or needs.

*Table 1-2 Standard VesseLINK™ Kit, List of Equipment*

Part Number		Description
VF350BM		Kit, VesseLINK™ Kit Vehicular High Gain 350**
Qty	Part Number	Description
✓	1	1100789-501 Kit, Below Deck Unit (BDU), Mounting Hardware
✓	1	1100791-501 Kit, Antenna Maritime Mounting Hardware
✓	1	1600901-1 Above Deck Unit / Antenna Unit
✓	1	3402131-1 Quick Start Guide (QSG) VesseLINK™
✓	1	3900011-1 Mounting Template, Terminal Unit
✓	1	3900014-1 Mounting Template, Antenna
✓	1	4102947-501 Terminal Unit VesseLINK™ 350
✓	1	84670-001 Power Supply, AC/DC 12V – 160W
✓	1	854024-001 Cable AC Power with USA Plug 6 ft
✓	1	854025-001 Cable AC Power EURO Plug 6 ft
✓	1	855023-082 Cable, Coaxial 82 ft LMR300
✓	1	855026-010 Cable, RJ-45 Ethernet, 10 ft
✓	1	85728-001 Wi-Fi Antenna, 2.4 GHz Dipole 2 dBi

\*\* The VF350BM is capable of up to 350 kbps uplink and 704 kbps downlink speeds.

**Note:** The SIM card is provided by the airtime service provider and may be packaged separately from this kit.

*Table 1-3 Available VesseLINK™ Accessories*

<b>Description</b>	<b>Part Number</b>	<b>Qty</b>
19" Rack Mount Shelf Kit	1100796-501	1
Thales SureLINK IP Handset Kit	1100818-501	1
Power Supply, AC/DC 12V – 160W	84670-001	1
Cable AC Power with USA Plug Type B IEC 60320-C13 6 ft	854024-001	1
Cable AC Power with Euro Plug Type E IEC 320-C14 6 ft	854025-001	1
Cable AC Power with AUS Plug Type 1 IEC 320-C14 6 ft	854026-001	1
Cable AC Power with UK Plug Type G IEC 320-C13 6 ft	854027-001	1
Cable, Coaxial 25m LMR300 FR	855023-082	1
Cable, Vehicle DC Power Harness 20 ft	855024-020	1
Cable, RJ-45 Ethernet, 10 ft	855026-010	1
Cable, Coaxial 50m LMR300 FR	855033-164	1
Wi-Fi Antenna, 2.4 GHz Dipole 2 dBi	85728-001	1
Antenna Mounting Plate, Small	85736-001	1
Antenna Mounting Plate, Large	85739-001	1

## **Tools and Supplies Needed for Installation**

List of tools you may need to install this system:

- Drill and drill bits
- Pliers or wrench
- 4 mm Hex Drive
- 6 mm Hex Driver
- 10 mm Wrench or Socket
- Torque Wrench
- Marker or pencil
- Tie wraps
- Self-vulcanizing tape to seal connections

**THIS PAGE INTENTIONALLY LEFT BLANK**

## CHAPTER 2 INSTALLATION

### General Guidelines

#### General Guidelines for Installation

- It is recommended to turn on the Below Deck Unit (BDU) only after the antenna and all system cables have been installed and connected.
- Do not attempt to service items such as Below Deck Unit (BDU) and Antenna.
- Do not alter or remove tamper seals/tape from the equipment.
- Always use Ground Lugs as separate connections to chassis
- Always torque hardware to specified values.
- If mounting antenna near radar array, raise the VesseLINK™ Antenna approximately 15 degrees above radar array centerline and mount as far away as possible to reduce the possibility of interference.

### Preparation

Prepare the VesseLINK™ Installation Kit as follows:

1. Unpack and lay out all components and parts.
2. Inspect for any damage
3. Conduct an inventory of all components and parts using the equipment packing list provided with the equipment. Any missing items and/or shipping damage should be reported immediately to Thales Customer Service Department (Tel: (800) 324-6089 or email [customer.service@thalesdsi.com](mailto:customer.service@thalesdsi.com)).

### Precautions During Installation

The following steps should be followed to prevent damage to the equipment:

1. Keep dust cover over the SIM Card, once installed.
2. Do not disassemble or modify parts in installation kit unless instructed to do so.
3. Keep mounting hardware covered and protected until needed.

## Installation

The following information covers the installation and set-up of the VesseLINK™ Above Deck Unit (ADU) / Antenna and the Below Deck Unit (BDU).

To complete the installation, you need the appropriate fasteners, tools, and mounts.



### NOTE

Always wear safety goggles, ear protection, and a dust mask when drilling, cutting, or sanding. When drilling or cutting, always check first to see what is on the other side of surface. If you experience difficulty with the installation, contact Thales or seek the assistance of a professional installer.

Standard installation will be accomplished with the following installation hardware kits:

- ADU / Antenna Mounting Kit PN 1100791-501
- BDU Mounting Hardware Kit PN 1100789-501



### NOTE

In the event of a new installation, pole mount brackets are available as an option. Templates are provided for any custom plates that need to be fabricated.

## Mounting The Above Deck Unit (Antenna)

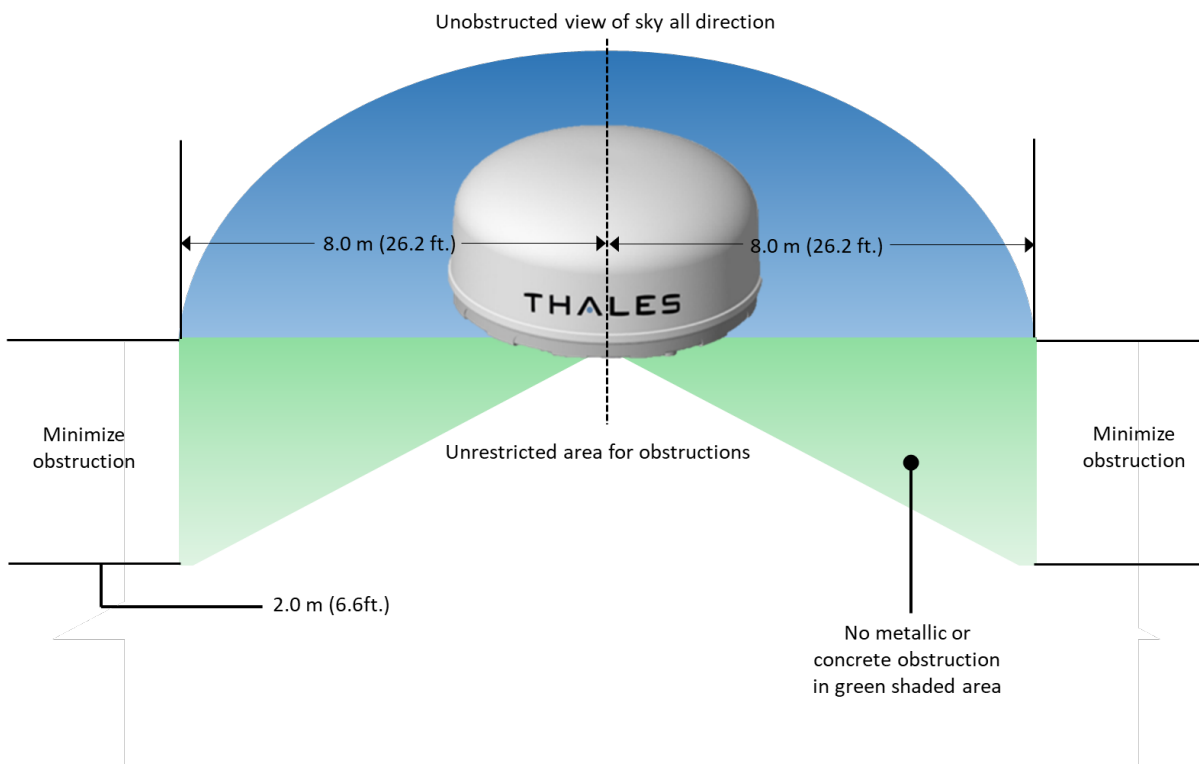
The VesseLINK™ antenna is designed to fit the optional Thales stainless steel antenna mounting plate. If replacing an existing L-band system, it may be possible to use the same mounting plate and hardware that is already in place. The VesseLINK™ has two sets of industry standard mounting configurations, each with four mounting points. Included in each kit are mounting templates if custom mounting hardware is necessary for your application.

It is important to note that the coaxial cable provided in the VesseLINK™ kit, or the Thales approved accessory coaxial cables, must be installed for proper operation of the VesseLINK™ system. Otherwise, the system may not calibrate correctly and will result in a failure at start-up. Install the cable using best practices for cable bend radius and to avoid pinching the cable. It is also important to ensure the cable does not get cut by or rub on nearby sharp objects. If an accessory cable is needed, refer to Table 1-3.

Keys to successful installation of the VesseLINK™ Antenna:

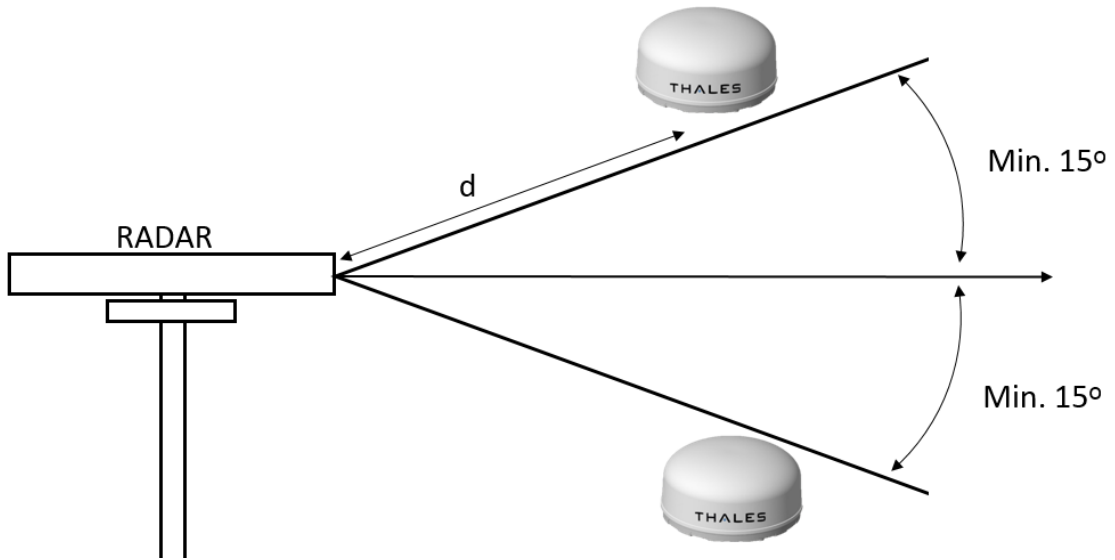
- Mount where antenna is at least the minimum safety distance away from vessel personnel (1.5 m).
- Mount antenna with unobstructed (Full View) of the sky (Figure 2-1). Any blockage to part of the sky by metal objects could result in loss of connection and/or poor data speeds.
- Mount antenna level (parallel) to Main Deck.

- Keep antenna away from large metallic surfaces when possible to increase performance.
- Mount as far away from other antennas (especially radar and magnetic compasses) as possible to avoid interference. See Figure 2-2 for recommendations on distance and horizontal displacement from radar arrays.
- Ground the antenna using a heavy ground cable (not included) from the ground terminal on the bottom of the antenna to the vessel's ground to protect the system from unwanted surges and voltage differentials.
- Use the supplied RF cable designed for VesSELINK™. Do not alter the provided cable prior to installation. It is mandatory to weather seal the connection at the antenna on permanent installations to prevent corrosion.
- Mounting should be in an area that minimizes vessel vibration



*Figure 2-1 Placing Antenna for optimum performance*





Distance

$d = 2.0\text{m}$  for S-Band up to 50kW

$d = 4.0\text{m}$  for X & C-Bands up to 50kW

*Figure 2-2 Recommended Antenna Placement with Existing Radar*

Antenna Dimensions and Hole Pattern

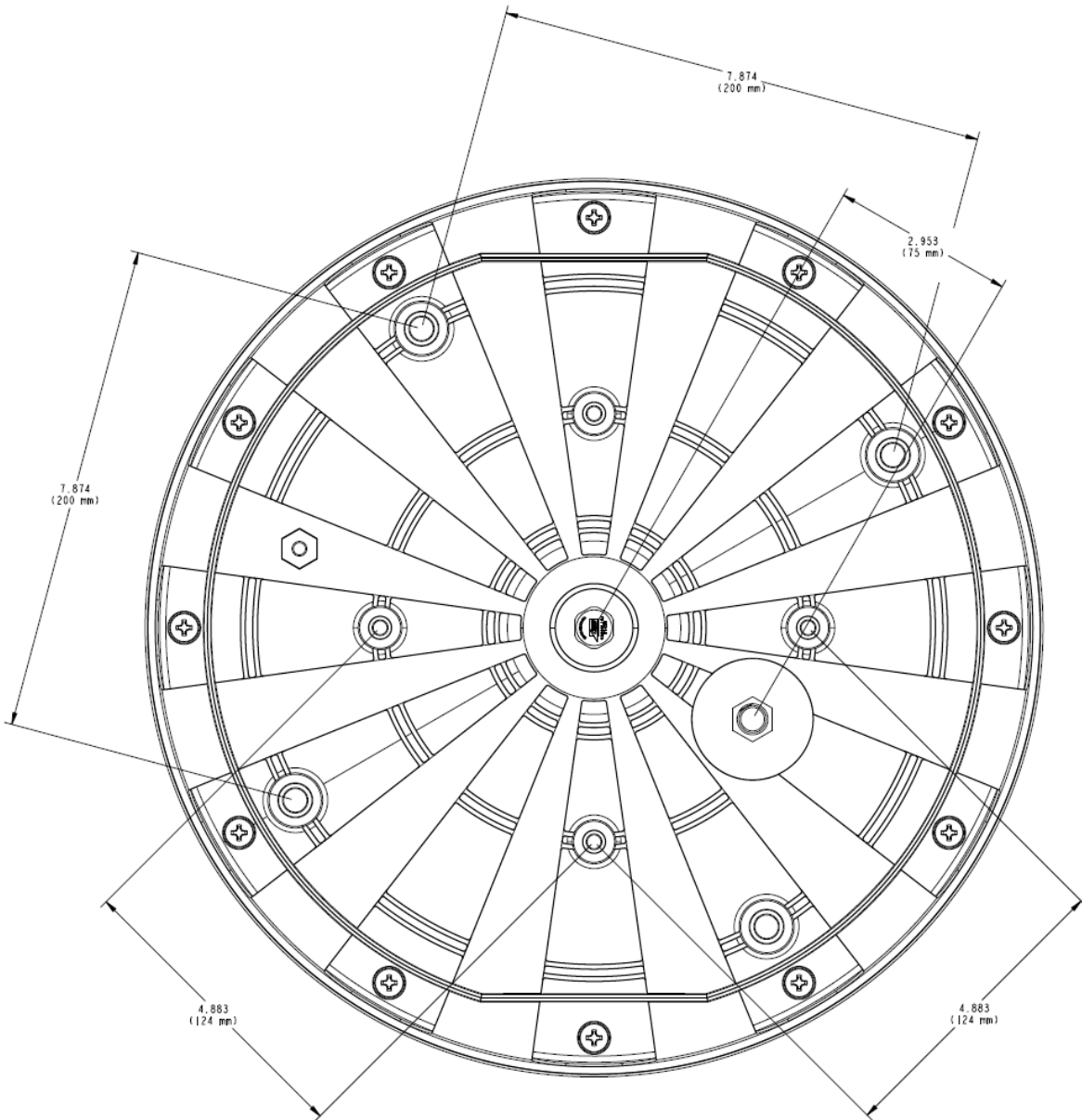


Figure 2-3 Antenna Dimension and Hole Pattern (1 of 2)

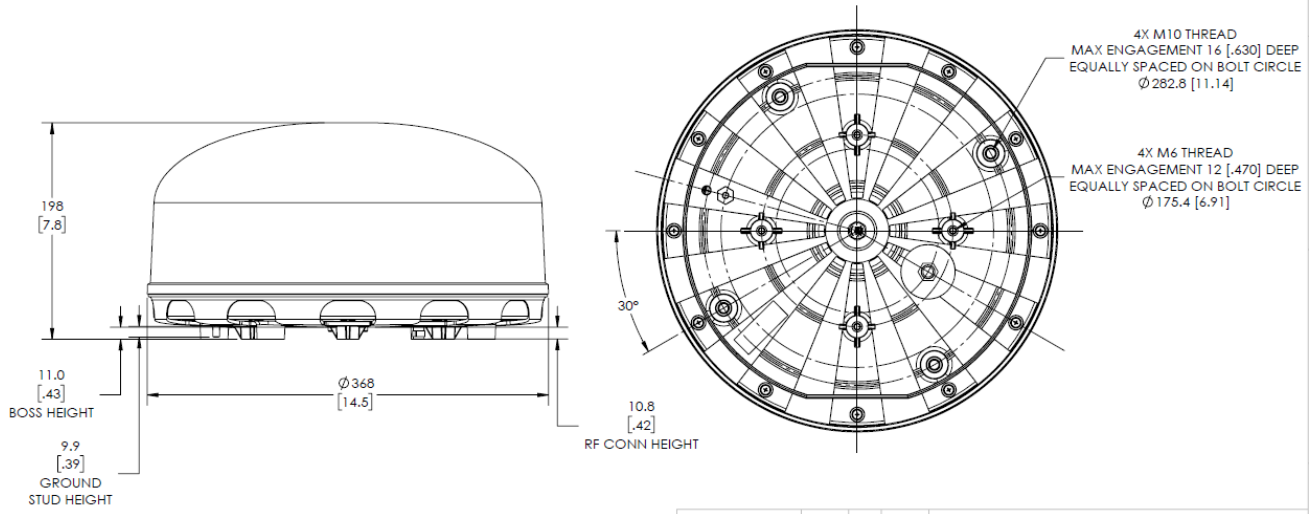


Figure 2-4 Antenna Dimension and Hole Pattern (2 of 2)

### Installation of ADU / Antenna



**NOTE**

Prior to installing the ADU, it is important to determine which hardware is best suited for installation – M6 or M10 hardware. The Installation Kit (PN 1100791-501) contains mounting hardware for both types of installation.

Refer to the following paragraph, depending on the installation type required:

- Installation of ADU / Antenna using M6 Hardware
- Installation of ADU / Antenna using M10 Hardware



**NOTE**

The Antenna Mounting Template is provided in Appendix A for use in fabricating a custom plate. A mounting plate is not included in the kit, but Thales offers two pole mount brackets as accessory items. (Refer to Appendix C.)

The antenna is mounted with either four M6 (torque to 6 N\*m (4.4 ft-lbs.)) or four M10 (torque to 28 N\*m (20.6 ft-lbs.)) stainless steel bolts (included with KIT #1100791-501) as appropriate for the chosen mounting pattern on the base of the antenna. Anti-seize compound (included) should be applied to the stainless hardware immediately prior to installation.

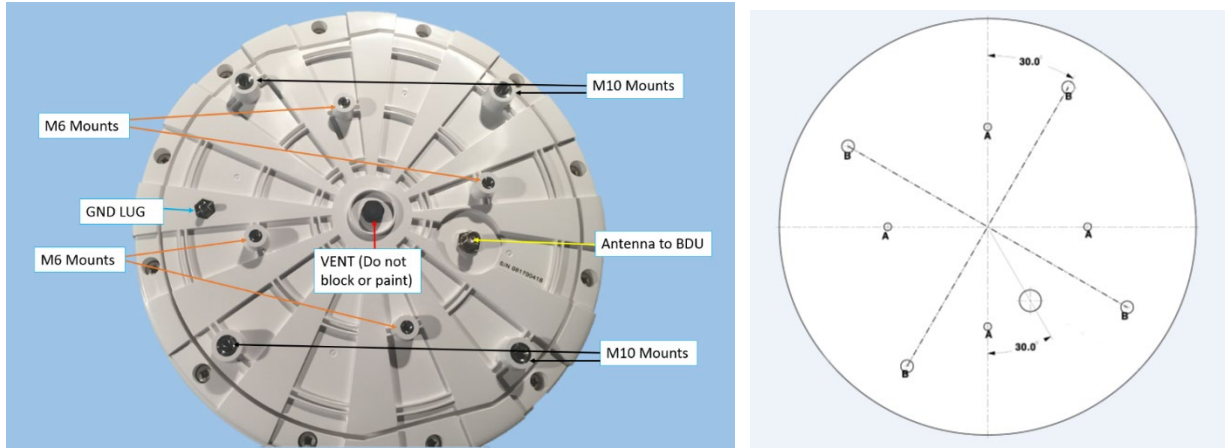


Figure 2-5: Mounting Holes in Bottom of Antenna and Mounting Template (Included In Kit)

### Installation of ADU / Antenna using M6 Hardware

1. Use the template information provided in Appendix A to create the appropriate hole pattern in the desired mounting surface for the chosen mounting hardware.



Hole sizing and provided hardware are shown for through hole mounting as shown in Appendix A. User may mount antenna with other hardware at their discretion and own risk.

2. Position the pattern to avoid interferences with the antenna or coaxial cable connection to the antenna.
3. Position the antenna in the proper orientation as decided by the pattern placement for the chosen mounting pattern on the base of the antenna (Refer to Appendix A).



**IMPORTANT:** The antenna is mounted with four M6 (torque to 6 Nm (4.5 ft-lbs.)) stainless steel bolts (included with Antenna Mounting Hardware Kit PN 1100791-501) as appropriate for mounting plate thickness of .20 to .40 inches (5 to 10 mm.). **Never exceed the recommended torque values on mounting bolts as this will damage the unit.**



Apply the supplied anti-seize to the hardware before assembly IF mounting to metallic plate incompatible with stainless steel hardware.

4. Assemble screws (1) with flat washers (3) and split lock washers (2) as shown in Figure 2-4 and torque to requirements.
5. Connect coaxial cable as shown in Figure 2-6 and hand tighten.

6. After connecting the cable to the antenna (Figure 2-6), wrap the connector with the self-vulcanizing tape to ensure a water-tight seal.
7. Run coaxial cable to approximate location of the BDU.

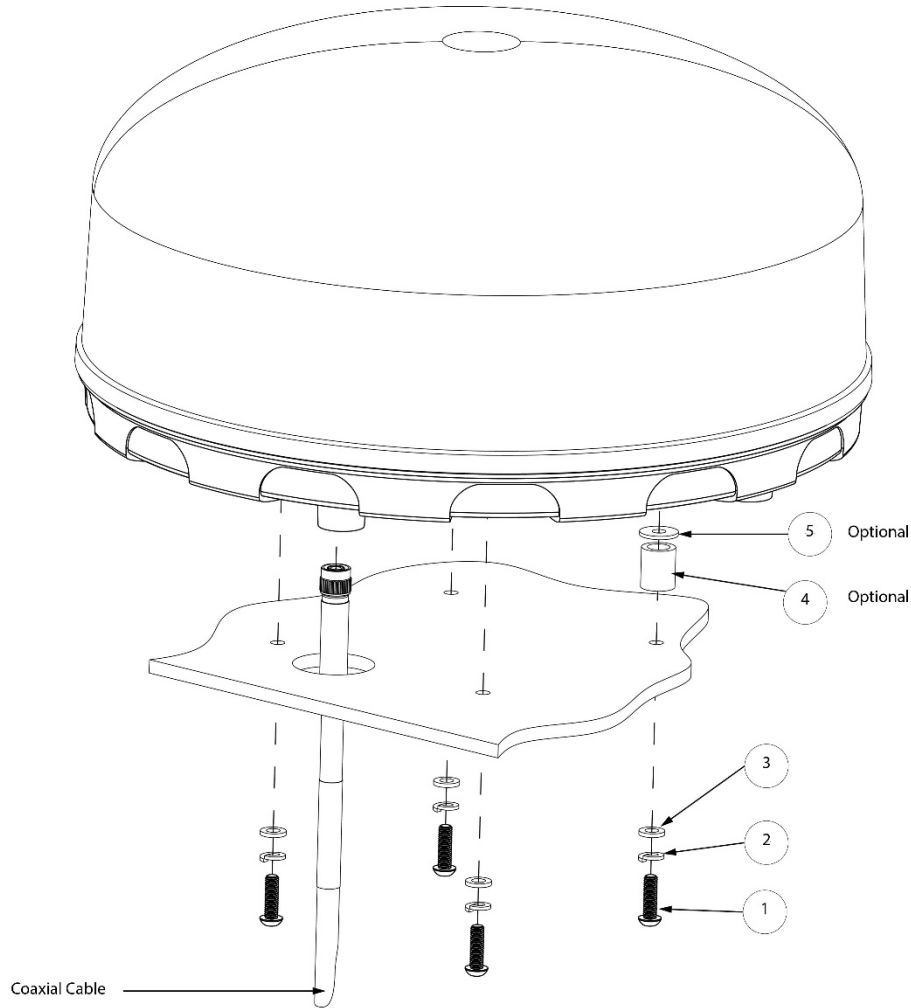


Figure 2-6 Above Deck Unit / Antenna Installation (M6 Hardware)

Table 2-1 Installation Kit, Mounting Hardware (M6 Hardware)

Item Number	Description	Part Number	Qty
1	Screw, Button HD Socket Cap M6x1x20mm A4-70 SS	82771-001	4
2	Washer, Split M6 (DIN 127B) A4 L/W SS	71300-001	4
3	Washer, Flat M6 A4-80 (DIN 125 ISO 7089) SS	71299-001	4
NI	Anti-Seize Lubricant, Loctite C5A Paste	91383-001	1
NI	Self-Vulcanizing Tape	91384-001	1



**NOTE**

Mounting Hardware Installation Kit (PN 1100791-501) contains additional hardware spares. The quantity listed in the above table reflect what is required for installation.

## Installation of ADU / Antenna using M10 Hardware

1. Use the template information provided in Appendix A to create the appropriate hole pattern in the desired mounting surface for the chosen mounting hardware.



**NOTE**

Hole sizing and provided hardware are shown for through hole mounting as shown in Appendix A. User may mount antenna with other hardware at their discretion and own risk.

2. Position the pattern to avoid interferences with the antenna or coaxial cable connection to the antenna.
3. Position the antenna in the proper orientation as decided by the pattern placement for the chosen mounting pattern on the base of the antenna (Refer to Appendix A).



**NOTE**

**IMPORTANT:** The antenna is mounted with four M10 (torque to 28 Nm (21 ft-lbs.)) stainless steel bolts (included with Antenna Mounting Hardware Kit PN 1100791-501) as appropriate for mounting plate thickness of .20 to .47 inches (5 to 12 mm.). **Never exceed the recommended torque values on mounting bolts as this will damage the unit.**



**NOTE**

Apply the supplied anti-seize to the hardware before assembly IF mounting to metallic plate incompatible with stainless steel hardware.

4. Assemble screws (1) with flat washers (3) and split lock washers (2) as shown in Figure 2-7 and torque to requirements.
5. Connect coaxial cable as shown in Figure 2-7 and hand tighten.
6. After connecting the cable to the antenna (Figure 2-7), wrap the connector with the self-vulcanizing tape to ensure a water-tight seal.
7. Run coaxial cable to approximate location of the BDU installation location.

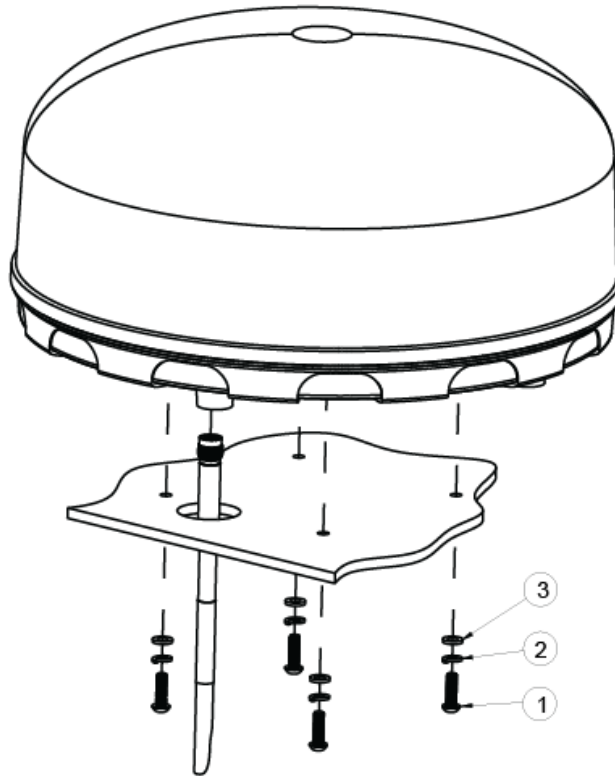


Figure 2-7 Above Deck Unit / Antenna Installation (M10 Hardware)

Table 2-2 Installation Kit, Mounting Hardware (M10 Hardware)

Item Number	Description	Part Number	Qty
1	Screw, Button HD Socket Cap M10x1.5x25mm A4-70 (ISO 7380) SS	82770-001	4
	Screw, Button HD Socket Cap M10x1.5x30mm A4-70 (ISO 7380) SS	82770-002	4
2	Washer, Split M10 MED L/W A4 (DIN 127B) SS	71302-001	4
3	Washer, Flat M10 (DIN 125)	71301-001	4
NI	Anti-Seize Lubricant, Loctite C5A Paste	91383-001	1
NI	Self-Vulcanizing Tape	91384-001	1



Mounting Hardware Installation Kit (PN 1100791-501) contains additional hardware spares. The quantity listed in the above table reflect what is required for installation.

## Installing The Below Deck Unit

The VesseLINK™ Below Deck Unit is designed for ease of installation with four corner mounting locations for direct mounting.



It is recommended that the BDU be mounted in a cool dry place leaving sufficient room (3 in. or 8 cm) between the BDU and other equipment to allow for proper airflow.

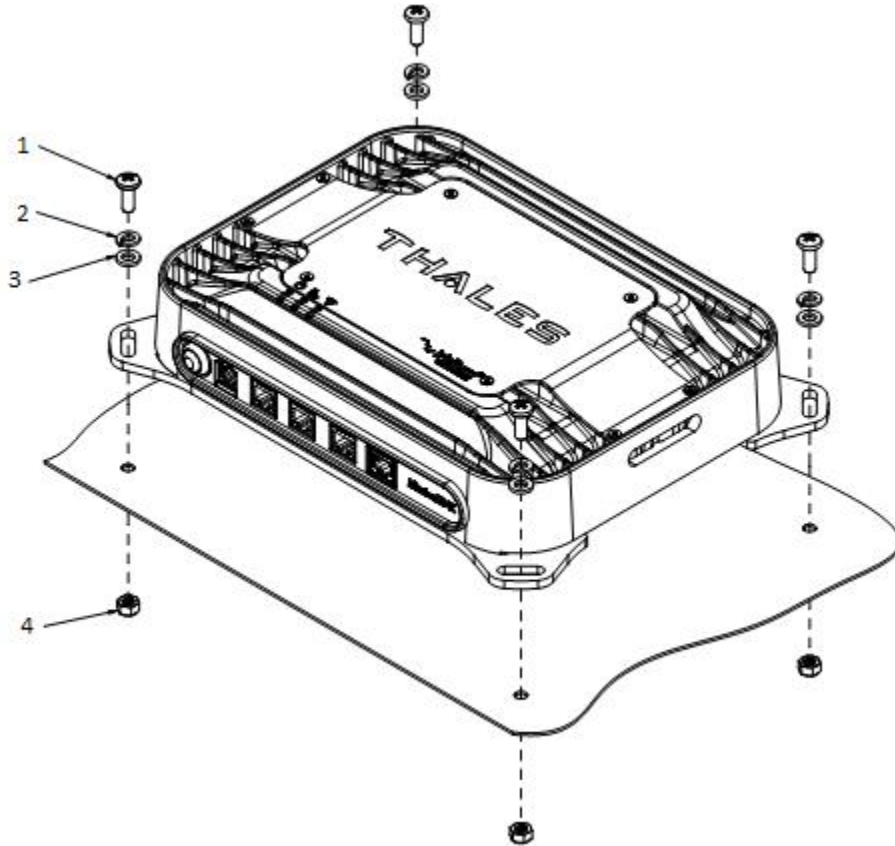


Figure 2-8 Below Deck Unit (BDU) Mounting Detail

Table 2-3 Installation Kit, Below Deck Unit (BDU) (PN 1100789-501)

Item Number	Description	Part Number	Qty
1	Screw Phil Pan HD 18-8 M6x1x20mm SS BLK Oxide	82768-001	4
2	Washer Split Lock M6 (DIN 127B) A4 SS BLK Oxide	71304-001	4
3	Washer Flat M6 6.4mm ID x 12mm OD x 1.6mm THK SS BLK Oxide	71298-001	4
4	Nut Lock w/Nylon Insert M6x1 18-8 SS	75656-001	4



1. Use the template information provided in Appendix B to create the appropriate hole pattern in the desired mounting surface for the chosen mounting hardware.



**NOTE**

Hole sizing and provided hardware are shown for through hole mounting as shown in Appendix B. User may mount antenna with other hardware at their discretion and own risk.



**NOTE**

BDU can be mounted in any orientation but for best performance, it is recommended that it is mounted horizontally with the Thales logo facing up. This will give the best protection against any spills or dripping water and allows for the best heat transfer.

2. Position the pattern to avoid interferences with the antenna or coaxial cable connection to the antenna.
3. Assemble screws with split lock and flat washers as shown in Figure 2-6 and torque to 4.5 Ft. Lbs. (6 Nm).
4. Connect the provided Wi-Fi antenna, and install the SIM Card (from service provider) into slot.
  - a. Open the SIM Card protective cover by pulling it away from the TU, exposing the SIM card slot. (Figure 2-7).



*Figure 2-9 SIM Card with Cover Opened*

- b. Install SIM card from Air-time provider (1, Figure 2-8), by inserting the card with contacts down (2) until it clicks into place (3).
- c. Be sure to engage the lock for the SIM Card (4).

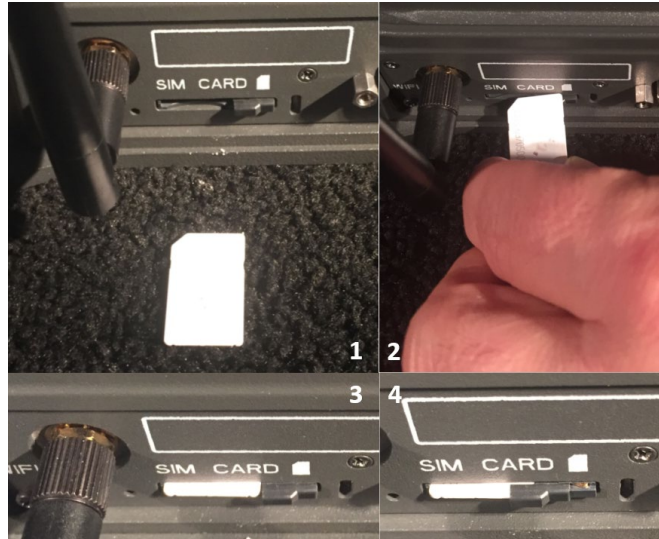


Figure 2-10 Installing SIM Card and Engaging the Lock

- d. Secure the SIM Card cover once the SIM Card has been locked into place to prevent moisture or dust intrusion. (Figure 2-9)



Figure 2-11 Secure the SIM Card Cover

- 5. Connect the provided RF cable that goes to the antenna.



**NOTE**

The BDU should be grounded. Use a 14 AWG (or larger) ground wire to connect the BDU to earth ground during normal use.

## Connecting Power To The BDU

The BDU has 2 connections for direct power depending on the vessel power available:

- AC Operation: Supplied external AC/DC supply with power cord. (Refer to Figure 2-10)



Figure 2-12 AC/DC Power Supply



To safely disconnect the BDU from the power source, unplug the unit from the power outlet.

**NOTE**



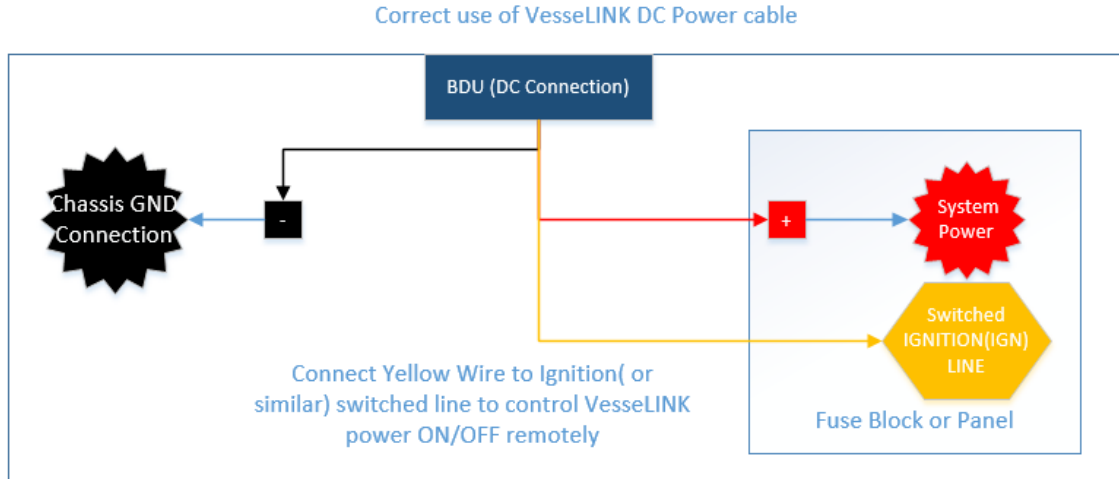
When installing the BDU, the power outlet should be installed near the unit and be easily accessible.

**NOTE**

- DC Operation for vessels operating from battery power: 10-32 Volts DC (optional DC power cable available (Part # 855024-020):
  - RED + ( 10-32VDC)
  - BLACK – ( GND)
  - Yellow (Remote Switch)
    - Turns BDU on/off through a remote switch connection or vessel ignition
    - Leave unconnected for BDU front panel switch operation on/off

## DC Power Connection

Installations using the DC power cable (PN 855024-020) should use the red and black primary power wires as well as the yellow remote wire as the ON/OFF switching source. The BDU will turn OFF with the vehicle's ignition switch when the yellow remote line is connected, so it is important to make that connection in the vehicle (see Figure 2-11).



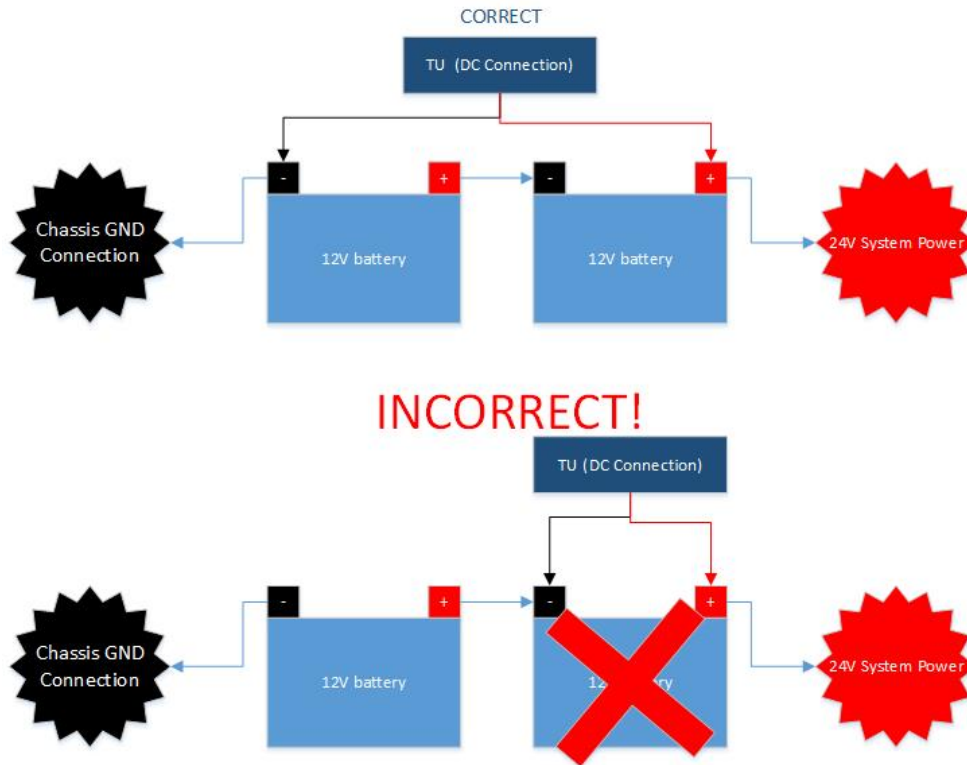
*Figure 2-13 24V DC Power Connection*

1. Connect the RED (+) cable to the positive terminal of DC power source.
2. Connect the BLACK (-) cable to the negative terminal of DC power source.



### NOTE

Extra care and consideration must be taken when powering any device from a dual battery 24V DC system. It is important that 24V systems use the correct GND scheme that ensures unit is connected to the system's lowest potential (usually chassis GND). Otherwise damage to the BDU and antenna are likely and could void the warranty.



*Figure 2-14 24V DC Power Connection*

3. Connect the YELLOW wire to the ignition (or similar) via the fuse box or panel.

## System Status Indicators

Now that the system installation is complete, press the start button on the BDU.

In Figure 2-13, from Left to Right these are: System (Overall System Status), Satellite (Satellite Connection Status) and Wi-Fi (Wireless Network Status).

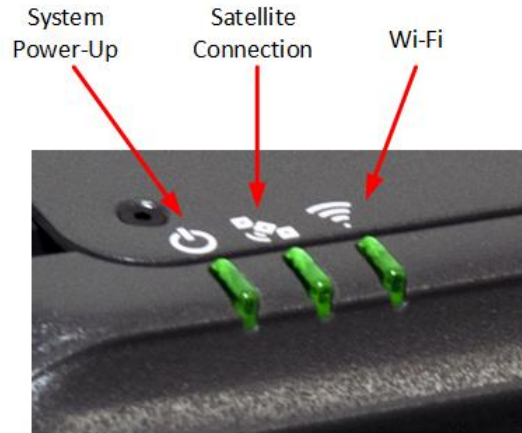





Figure 2-15 Below Deck Unit (BDU) LEDs

Table 2-4 Below Deck Unit (BDU) LED Status

Indicator	Description
 <b>System</b>	
Solid GREEN	System functioning properly
Flashing GREEN	System busy (Booting up)
Solid RED	Fault (minor issue)
Flashing RED	Critical fault (major issue)
 <b>Satellite</b>	
Solid BLUE	Connected and passing data (over satellite)
Solid GREEN	System functioning properly
Flashing GREEN	Acquiring satellite
Solid RED	Fault (minor issue)
Flashing RED	Critical fault (major issue)
 <b>Wi-Fi</b>	
OFF	Wi-Fi OFF
Flashing GREEN	Wi-Fi busy
Solid Green	System functioning properly
Solid RED	Fault (minor issue)
Flashing RED	Critical fault (major issue)



**NOTE**

The Indicator Colors are:

Solid Green: Operational

Flashing Green: start-up or in progress of configuring or acquiring service.

Solid Red: fault requires user attention (Open Management Portal for Alerts)

Flashing Red: critical fault requiring immediate attention. For additional information, refer to Chapter 3 Troubleshooting






**THIS PAGE INTENTIONALLY LEFT BLANK**

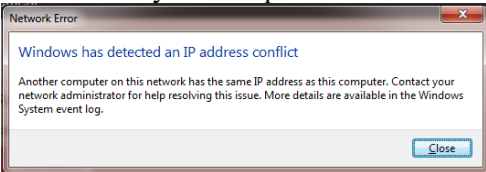


**CHAPTER 3 TROUBLESHOOTING**

**TROUBLESHOOTING**

*Table 3-1 Troubleshooting*

PROBLEM	SOLUTION
 Satellite LED Flashing GREEN	<ul style="list-style-type: none"> <li>Flashing GREEN light indicates that it is acquiring the satellite. If it continues to flash for more than 5 minutes, check that the antenna has a clear view of the sky.</li> <li>Reboot BDU.</li> </ul>
 Satellite LED Flashing RED	<ul style="list-style-type: none"> <li>Critical Fault Detected. Open Management Portal <a href="http://portal.thaleslink">http://portal.thaleslink</a> and check Alerts. Make any adjustments. (For example: check antenna connection, or GPS not acquired.)</li> <li>Turn unit off and on again. If same result, contact your service provider.</li> </ul>
 System LED Flashing Green	<ul style="list-style-type: none"> <li>Start-up in progress. Wait until unit has run diagnostics and completed start procedure. This may take more time than usual when acquiring satellites for the first time</li> <li>Switch power off and back on if the light doesn't turn solid green after 5 minutes.</li> </ul>
 System LED Flashing RED	<p>Fault Detected. Open Management Portal <a href="http://portal.thaleslink">http://portal.thaleslink</a> and check for alerts. Make any adjustments. (For example: Common alerts include, but not limited to, are the SIM Card not installed, SIM Card not provisioned. Power-Up Test (POST) failure.)</p> <ul style="list-style-type: none"> <li>Turn unit off and on again. If same result, contact your service provider.</li> </ul>
 Wi-Fi LED	<p>OFF – Turn Wi-Fi ON using the Management Portal through a hardwired, PoE connection. ThalesLINK &gt; Settings &gt; Wi-Fi</p> <p>Solid RED – Wi-Fi may need to be turned off and back on again from the Management Portal. If the LED does not turn to GREEN within a minute, reboot the BDU.</p> <p>Flashing GREEN – If this continues for more than a minute or two, check for NO OR WEAK Wi-Fi</p>
<p>Call Logs are not appearing</p>	<p>Call logs must be enabled. Verify call logs are enabled (SETTING → PHONE → PHONE CONFIGURATION)</p>
<p>Cannot connect to the internet</p>	<p>Data sessions default is OFF. Check to make Satellite Data Sessions is ACTIVATED on Dashboard. If not, select ACTIVATE and apply.</p>

PROBLEM	SOLUTION
Cannot connect to the Management Portal	<ul style="list-style-type: none"> <li>• Ensure Terminal Unit is powered ON</li> <li>• Ensure Wi-Fi is enabled and connected to ThalesLINK (or renamed SSID). If using a Wi-Fi enabled device, the Wi-Fi LED on the BDU should be solid GREEN. If not using Wi-Fi, ensure Cat 5 cable is connected to one of the three Ethernet ports (NOT WAN or POTS Port). If Ethernet connection, replace the cable and re-check connection</li> <li>• Open web browser and type <a href="http://portal.thaleslink/#">http://portal.thaleslink/#</a>. Ensure network settings are correct on the connected device.</li> <li>• Device's browser may be incompatible. Update or try different browser.</li> <li>• You may need to reconnect via Ethernet or Wi-Fi to the TBDU.</li> <li>• Check to make sure the correct address is typed in <a href="http://portal.thaleslink">http://portal.thaleslink</a></li> <li>• If system LED is flashing GREEN, wait until it turns solid GREEN, then try reconnecting to the portal.</li> </ul>
Cannot connect to Wi-Fi service	<ul style="list-style-type: none"> <li>• Check that the Wi-Fi antenna is attached and tightly screwed in.</li> <li>• Check that the BDU's Wi-Fi LED is solid GREEN.</li> <li>• Check to see if there's an available connection by checking the devices that are connected in Status → Current Devices page.</li> <li>• Only 5 simultaneous devices can connect to the Wi-Fi. Any additional connection attempts are blocked.</li> <li>• Remove one or more devices from the Wi-Fi and try again to connect.</li> <li>• Use the Wi-Fi Device Whitelist to limit access to specific wireless devices.</li> </ul>
Network Error	<p>If you receive a message similar to this, another user is attempting to use the same IP Address as your computer.</p> 
No or Weak Wi-Fi Signal	<ul style="list-style-type: none"> <li>• Connect Wi-Fi antenna and ensure it is secured tightly</li> <li>• If walls or metal obstructions are between the BDU and the Wi-Fi device, move closer to the BDU or move the BDU to a better location with less obstructions</li> <li>• Check to make sure Wi-Fi device is connected to the BDU's Wi-Fi and verify that you are connected to the ThalesLINK.</li> <li>• Check the Management Portal to make sure the Wi-Fi device is registered as a user.</li> </ul>

PROBLEM	SOLUTION
<p>ThalesLINK is not obtaining a satellite signal (Satellite LED is red)</p>	<ul style="list-style-type: none"> <li>• Check signal bars at the top of the Management Portal. If no bars are highlighted, the satellite is not being detected. Wait a few minutes to see if the signal strength improves as another satellite comes into view.</li> <li>• Check antenna connection at the BDU and antenna. Make sure no corrosion has occurred on the cable connections to the antenna and that the connectors are screwed in tightly.</li> <li>• Check antenna for a clear view of the sky with no obstructions. Relocate antenna if needed.</li> <li>• Check for interferers in the area that could be affecting the signal such as active radars, VSAT systems and other radio antennas. Turn those off and retest.</li> <li>• Move vehicle to a new location and retest if other interfering vehicles are in the area</li> <li>• Reboot BDU and check the Alerts.</li> <li>• Call Service Provider if the satellite connection is still not working.</li> </ul>
<p>Terminal Unit does not Power-ON</p>	<ul style="list-style-type: none"> <li>• Check BDU for Green lights, If green light is on Unit has Power</li> <li>• Push power button on front of BDU.</li> <li>• Check that the power source is providing 10-32V and is not current limited.</li> <li>• Check connection of the 10-32V DC cable has correct polarity.</li> <li>• Check to ensure Ignition line is connected to switched line or connected to Red (Positive line) for continuous operation.</li> <li>• Check that ignition or remote switch is turned on if ignition line is connected.</li> <li>• If using AC/DC converter (optional), make sure the AC outlet has power and that the plug is securely in the AC outlet and the other end is securely connected to the BDU.</li> </ul>
<p>Terminal Unit has power but accessories not working</p>	<ul style="list-style-type: none"> <li>• Remove power from accessories and disconnect from BDU. Restart BDU using the power button or remove power from BDU for 10 seconds. After BDU has rebooted re-attach accessories</li> <li>• If PoE accessory not receiving power, make sure PoE is enabled for that port.</li> <li>• PoE is not available on WAN port. Any device on WAN port needs its own power source.</li> <li>• Check VoIP phone manuals for proper configuration. Each phone may have a different configuration method.</li> </ul>

PROBLEM	SOLUTION
<p>Terminal Unit is not responding</p>	<ul style="list-style-type: none"> <li>• Check LED status on BDU or on Management Portal. Make sure there are no RED LEDs. Check for Alerts in Management Portal by selecting the Alerts menu item</li> <li>• Reboot the system and recheck for any Alerts that have been generated.</li> <li>• Call Service Provider if the BDU is still not responding.</li> <li>• As a last resort, use the manual reset button, located below Wi-Fi antenna port, using a straightened paper clip or similar sized article insert into port and push reset button.</li> </ul> <p><u>NOTE:</u> This is not recommended as a routine troubleshooting measure. All user data and debug information will be lost and factory defaults returned.</p>

**CHAPTER 4 TECHNICAL SPECIFICATIONS**

**Technical Specifications**

*Table 4-1 Technical Specifications*

<b>RF Performance</b>		
Frequency of Operation	TX	1616 to 1626 MHz
	RX	1616 to 1626.5 MHz
Channelization	FDMA spacing	41.667 KHz
	TDMA Timing	8.3 mS Slot in a 90 mS window
	Channels Available	240 channels
EIRP (Weighted Average)	Voice	9 dBW
	Data (Block 1)	11.7 dBW
	Data Certus <sup>SM</sup> 1xC8 16 APSK	15.2 dBW
	Data Certus <sup>SM</sup> 2xC8 16 APSK	18.2 dBW
Modulation	Block 1 Voice/Data	DQPSK
	Certus <sup>SM</sup> C1, C8 Voice/Data	QPSK
	Certus <sup>SM</sup> C8 APSK Data	16 APSK
Antenna	Type	Electronically steered phased array
	Polarization	RHCP
	Gain	9.5 dBi
	Beam Width	31° typical per beam
	VesseLINK <sup>TM</sup> coverage	provides useful link margin up to roll = 20°
<b>Power</b>		
Main Power (AC Brick)	AC Input Voltage	100-240 VAC
	Frequency	50/60 Hz
	DC Output Voltage	12 VDC
	Max Power	120W
DC Input 10-32 VDC	Voltage	10-32 VDC
	Max Current	12 Amps (10V) – 3.75 Amps (32V)
	Max Power	120 Watts
DC Input 12 VDC	Voltage	12 VDC (+10%/-5%)
	Max Current	10 Amps
	Max Power	120 Watts
Ethernet	3x PoE	PoE Class 2 (6.5 Watts each)

<b>Environmental</b>		
ADU	Operating Temp	-30°C to +55°C
	IP Rating	IP67
BDU	Operating Temp	-30°C to +55°C
	IP Rating	IP31
<b>Mechanical</b>		
ADU	Diameter	14.5 inches (36.8cm)
	Height	7.8 inches (19.81 cm)
	Weight	6.2 lbs (2.81 kg)
BDU	Length	12 inches (30cm)
	Width	9 inches (23cm)
	Height	3 Inches ( 7.6cm)
	Weight	7.5 lbs (3.4kg)
AC Power Brick	Length	6.6 inches (16.7cm)
	Width	2.6 inches (6.7cm)
	Height	1.4 inches (3.5cm)
	Weight	1.37 lbs (0.62 kg)
	AC Cable Length	~6ft (1.8m)
	DC Cable Length	~3.9ft (1.2m)
RF Cables	25 meter	LMR-300FR or Similar w/TNCM-TNCM

## Connector Details:

### General Purpose Inputs / Outputs (GPIO)

The DB-15 connector with Pin out shown in Figure 4-1.

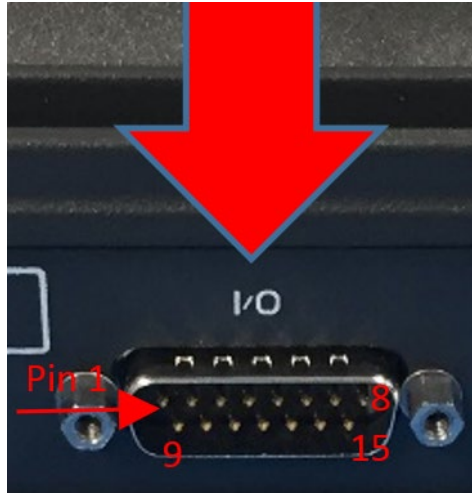


Figure 4-1 GPIO Connector Pin Detail

Table 4-2 GPIO Connector Pin Definition

Pin No	Name	Description
1	GND1	Ground
2	Audio_In +	Radio Gateway functionality, differential (+) Hi-Z Audio Input from external Radio
3	Audio_Out +	Radio Gateway functionality, Differential (+) Low-Z Audio Output to external radio (mic input)
4	RadioCOR	Radio Gateway functionality, Radio initiated voice into terminal (optional)
5	SOS_IN	SOS remote functionality, Ground pin to activate internal SOS
6	GPI01	Software configurable GPIO pin #1 (future)
7	RS232_TD	RS232 Output (future)
8	GND2	Ground
9	Audio_In -	Radio Gateway functionality, differential (-) Hi-Z Audio Input from external Radio
10	Audio_Out -	Radio Gateway functionality, Differential (-) Low-Z Audio Output to external radio (mic input)
11	RadioPTT	Radio Gateway functionality, Output PTT from terminal to external radio, short to ground for PTT enabled, Open drain requires external 10k pullup resistor
12	GND3	Ground
13	GPI02	Software configurable GPIO pin #2 (future)
14	RS232_RD	RS232 Input (future)
15	12V	+12V output, 100mA

## BDU 12V Connection Detail

Type: KPPX-4x connector (or similar) shown in Figure 4-2.

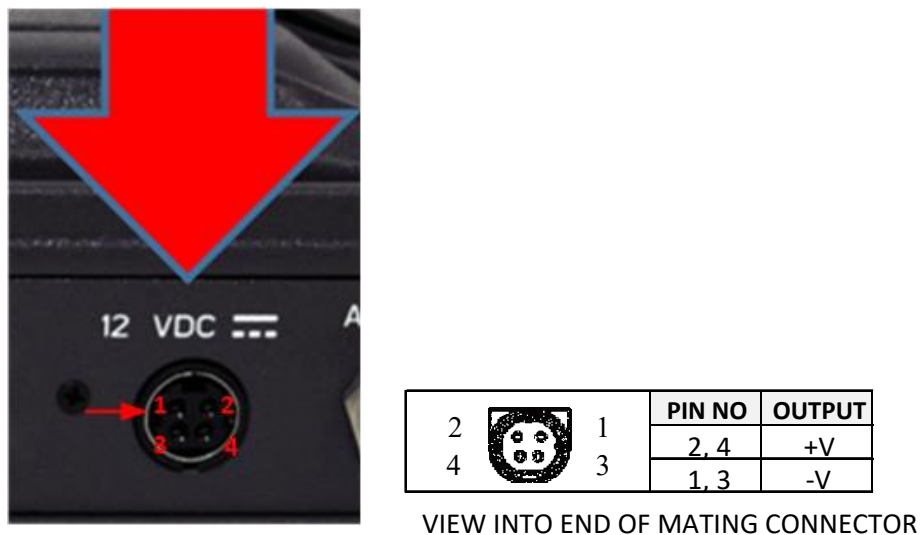


Figure 4-2 12V Input and Mating Connector Detail

## BDU 10-32VDC Connection Detail

Type: 684M7W2103L201 connector (or similar) shown in Figure 4-3.

A1 = V+ /10-32VDC

A2 =V- /GND

Pin 5 = Ignition

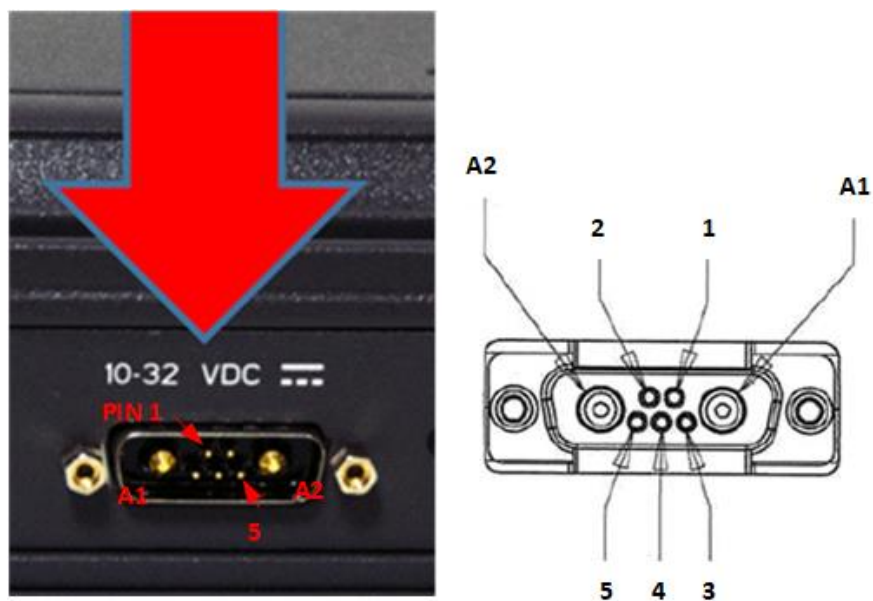


Figure 4-3 10-32 VDC and Mating Connector Detail



**CHAPTER 5 ACRONYMS / GLOSSARY**

**Acronyms / Glossary**

*Table 5-1 List of Acronyms*

<b>Acronym</b>	<b>Description</b>
ADU	Above Deck Unit Antenna
API	Application Programming Interface
BAA	Broadband Active Antenna
BAE	Broadband Application Electronics
BCX	Broadband Core Transceiver
BDU	Below Deck Unit Terminal Unit
BIT	Built In Test
DTMF	Dual Tone Multi-Frequency
EBB	Enhanced Broadband
ETSI	European Telecommunications Standards Institute
GPIO	General Purpose Inputs/Outputs
HGA	High Gain Antenna
HRLP	High Speed Radio Link Protocol
HTTP	Hypertext Transfer Protocol
IP	Internet Protocol
ICMP	Internet Control Message Protocol
ITU	International Telecommunications Union
LAN	Local Area Network
LED	Light Emitting Diode
LGA	Low Gain Antenna
MO	Mobile Originated
msec	Milliseconds
MT	Mobile Terminated
NAS	Network Attached Storage
PBX	Private Branch Exchange
PCM	Pulse Code Modulation
PoE	Power Over Ethernet
POST	Power On Self-Test
POTS	Plain Old Telephone Service
PSTN	Public Switched Telephone Network
PTT	Two way radio term indicating the pressing of a button to initiate transmit before speaking
R/W	Read/Write
SBC	Smart Battery Charger
SIM	Subscriber Identity Module
SIP	Session Initiation Protocol
SMBus	System Management Bus

Acronym	Description
SV	Satellite Vehicle
TCP	Transmission Control Protocol
TU	Terminal Unit
UDP	User Datagram Protocol
UL/DL	Uplink/Downlink
VLAN	Virtual Local Area Network
VOIP	Voice of Internet Protocol
WAN	Wide Area Network
WI-FI	Wireless Network
WPA2-PSK	Wi-Fi Protected Access 2 – Pre-Shared Key

*Table 5-2 List of Definitions*

Acronym	Description	
API	Application Programming Interface	The Management Portal provides API to allow for the connection to the terminal remotely.
BAA	Broadband Active Antenna	The antenna and supporting electronics that interface an Iridium satellite terminal with the Iridium constellation
BAE	Broadband Application Electronics	Hardware and software platform resident in the BDU that interfaces with the BCX, BAA and user devices
BCX	Broadband Core Transceiver	Hardware designed for an Iridium satellite terminal to interface end-user equipment with an Iridium BAA
BIT	Built In Test	Diagnostic testing for system integrity check and error reporting
DTMF	Dual Tone Multi-Frequency	Signals generated from phone keypad
EBB	Enhanced Broadband	EBB Mode is Iridium NEXT phase 1 EBBS (Enhanced Broadband Service)
ETSI	European Telecommunications Standards Institute	Organization that maintains standards for Information and Communications applicable to fixed and mobile radio platforms
GPIO	General Purpose Inputs/Outputs	General use pins
HGA	High Gain Antenna	External antenna that connects to the BDU via a coaxial cable. The HGA2 (also called BAA-H2) provides 352 kbps uplink and downlink capability
HRLP	High Speed Radio Link Protocol	Management of In-band signaling on broadband channels
HTTP	Hypertext Transfer Protocol	Protocol to exchange or transfer hypertext
ICMP	Internet Control Message Protocol	Protocol by network devices that typically send error messages and is used for diagnostics
ITU	International Telecommunications Union	Agency of the United Nations responsible for issues concerning information and communications technologies
LED	Light Emitting Diode	Semiconductor that emits colored light

Acronym	Description	
LGA	Low Gain Antenna	External antenna that connects to the BDU via a coaxial cable. The LGA1 and LGA2 support the future Certus <sup>SM</sup> 100 and Certus <sup>SM</sup> 200 capabilities
Management Portal		Management Portal: A web page served from the Terminal Unit that brings together the diverse status and configuration information of the LMC 350 in one place.
MO	Mobile Originated	Calls originating from the terminal)
MT	Mobile Terminated	Calls terminating at the terminal
NAS	Network Attached Storage	Ability to store and retrieve files to/from a physical memory storage device attached to the network
PBX	Private Branch Exchange	Telephone connection between local users not requiring external phone connection
POST	Power On Self-Test	BIT Test performed at the turn-on of the BDU
POTS	Plain Old Telephone Service	A voice-grade telephone service that utilizes analog signal transmission over copper loops
PSTN	Public Switched Telephone Network	The world's collection of interconnected voice-orientable public telephone networks, both commercial and government owned.
PTT	Push-To-Talk	Two way radio term indicating the pressing of a button to initiate transmit before speaking
R/W	Read/Write	Capability
RGW	Radio Gateway	Radio Gateway feature enables communication between telephone users and users of ground radios.
SIM	Subscriber Identification Module	Iridium provided method to authenticate and identify subscriber
SIP	Session Initiation Protocol	An Internet Engineering Task Force (IETF) standard protocol for initiating an interactive user session that involves multimedia elements such as video, voice, and chat
SV	Satellite Vehicle	Iridium Satellite
SMBus	System Management Bus	Two-wire bus for communications between devices such as a Terminal and a Smart Battery
TCP	Transmission Control Protocol	Core internet protocol that provides reliable delivery and error-checking
TU	Terminal Unit	Electronic equipment that contains the BCX and the BAE
UL/DL	Uplink/Downlink	To and from satellite communications
UDP	User Datagram Protocol	Connectionless transmission model with minimum , no-handshaking protocol
VLAN	Virtual Local Area Network	For context within this document, VLAN more specifically designates an Ethernet VLAN. A VLAN is establishes a broadcast domain that is partitioned
WPA2-PSK	Wi-Fi Protected Access 2 – Pre-Shared Key	Method of securing a Wi-Fi network

## INDEX

### A

Acronyms / Glossary.....	5-1
--------------------------	-----

### C

Connectors	
BDU 10-32VDC Connector.....	4-4
BDU 12V Connector.....	4-4
General Purpose Inputs/Outputs (GPIO) .....	4-3

### E

Equipment Overview .....	1-1
--------------------------	-----

### I

Installation	
ADU / Antenna .....	2-6
ADU / Antenna using M10 Hardware .....	2-9
ADU / Antenna using M6 Hardware .....	2-7
Antenna Dimensions and Hole Pattern .....	2-5
Connecting Power to the BDU .....	2-14
General Guidelines.....	2-1
Installation.....	2-2
Installing the Below Deck Unit.....	2-11
List of Tools and Supplies Needed .....	1-7
Mounting the Above Deck Unit / Antenna .....	2-2
Precautions During Installation.....	2-1
Preparation .....	2-1
System Status Indicators .....	2-17
Introduction.....	1-1

### K

Kit Components	
VesseLINK™ .....	1-6

### M

Maintenance	
Troubleshooting .....	3-1

## S

### System Overview

Above Deck Antenna Unit.....	1-5
Below Deck Unit (BDU) .....	1-2

## T

Technical Specifications .....	4-1
--------------------------------	-----

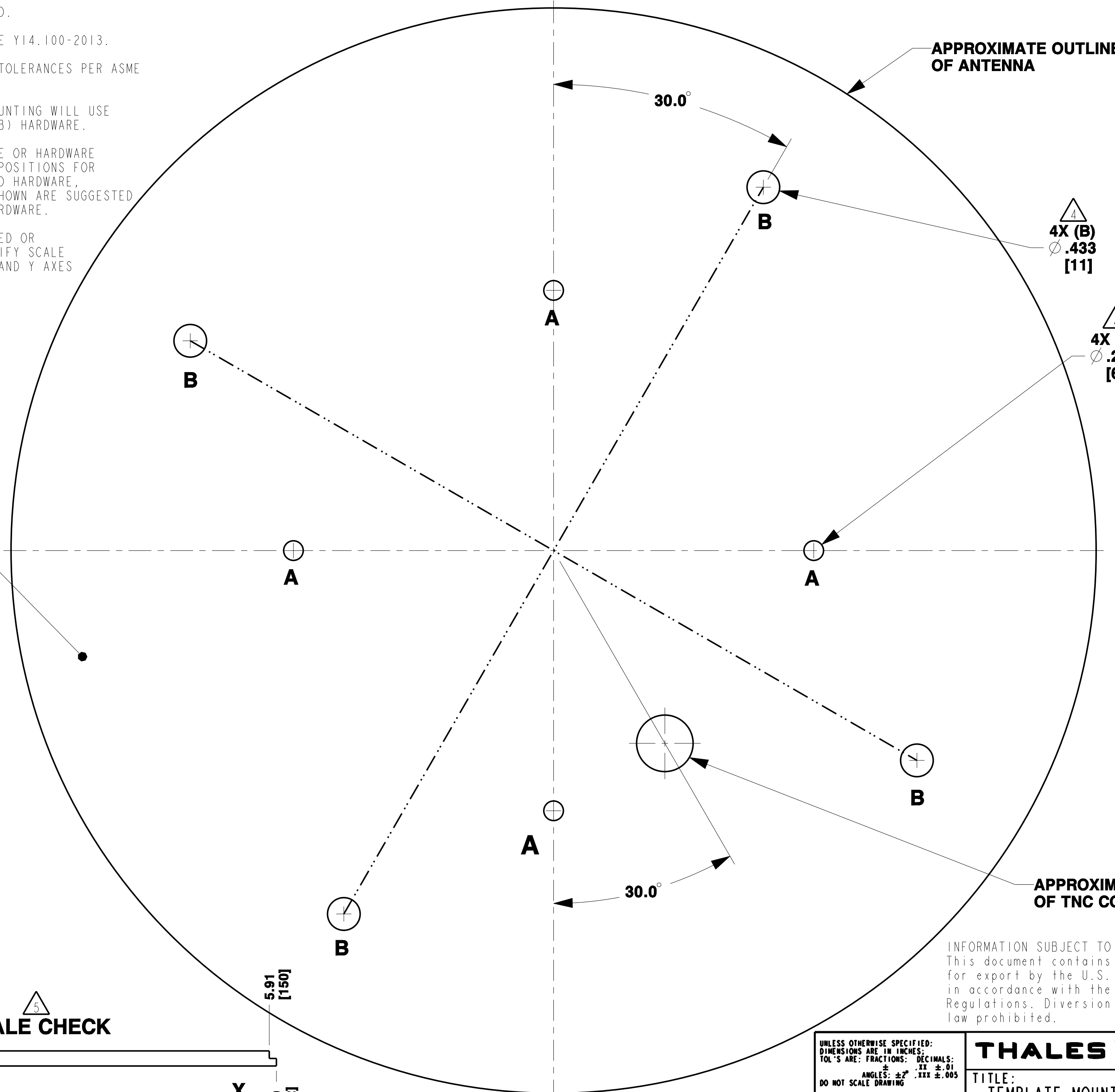


NOTES: UNLESS OTHERWISE SPECIFIED.

- 1. INTERPRET DRAWING PER ASME Y14.100-2013.
- 2. INTERPRET DIMENSIONS AND TOLERANCES PER ASME Y14.5-2009.
- 3. DETERMINE IF METHOD OF MOUNTING WILL USE M6 (HOLE A) OR M10 (HOLE B) HARDWARE.

**4** IMPLEMENT APPROPRIATE HOLE OR HARDWARE PREPARATION AT INDICATED POSITIONS FOR CHOSEN MOUNTING METHOD AND HARDWARE. THROUGH HOLE DIMENSIONS SHOWN ARE SUGGESTED FOR SUPPLIED M6 OR M10 HARDWARE.

**5** IF THIS DOCUMENT IS PRINTED OR REPRODUCED, USER MUST VERIFY SCALE THROUGH MEASUREMENT OF X AND Y AXES ON SCALE CHECK PROVIDED



**SURFACE FACING ANTENNA WHEN MOUNTED**

6.00 [152]  
5.91 [150]  
Y

**SCALE CHECK**

.00 [0] 6.00 [152]  
X

**4**  
4X (B)  
Ø .433  
[11]

**4**  
4X (A)  
Ø .260  
[6,6]

**APPROXIMATE LOCATION OF TNC CONNECTOR**

INFORMATION SUBJECT TO EXPORT CONTROL LAWS  
This document contains technology controlled for export by the U.S. Department of Commerce in accordance with the Export Administration Regulations. Diversion contrary to U.S. law prohibited.

UNLESS OTHERWISE SPECIFIED: DIMENSIONS ARE IN INCHES: TOL'S ARE: FRACTIONS: DECIMALS: ± .01 ± .005 DO NOT SCALE DRAWING	
STATE:	Released
ITERATION:	A. 3
DRAWN:	DAH
DATE:	06-12-17

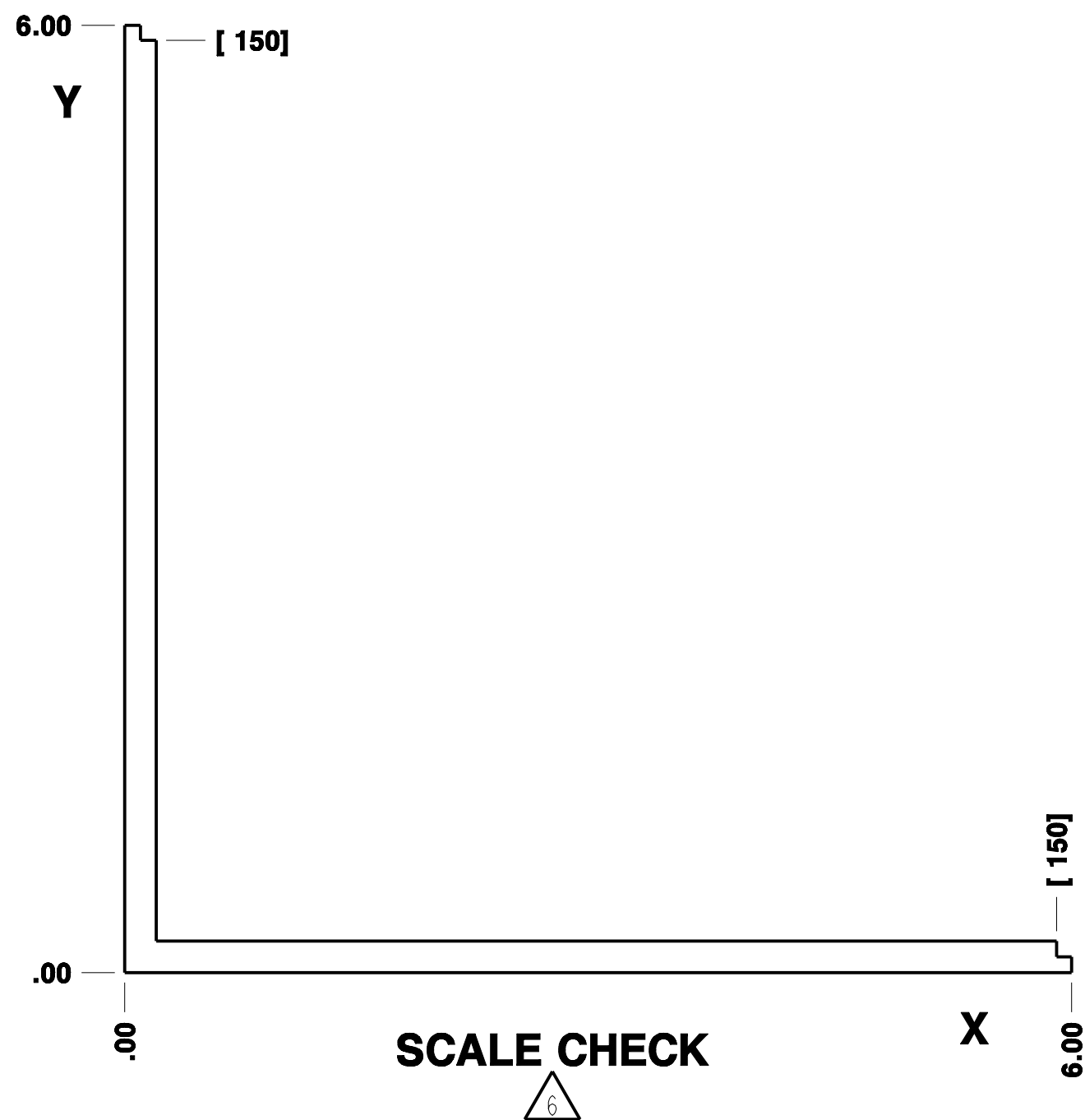
<b>THALES</b> THALES DEFENSE & SECURITY, INC. CLARKSBURG, MARYLAND 20871	
TITLE: TEMPLATE MOUNTING MARITIME BAA	
SIZE C	CAGE CODE 23386
DWG. NO. 3900014	REV A
SCALE: 1.000	SHEET: 1 of 1





NOTES: UNLESS OTHERWISE SPECIFIED.

1. INTERPRET DRAWING PER ASME Y14.100-2013.
2. INTERPRET DIMENSIONS AND TOLERANCES PER ASME Y14.5-2009.
3. OVERLAY THIS TEMPLATE ON INTENDED MOUNTING SURFACE
4. DETERMINE DESIRED POSITION OF MOUNTING FASTENER IN EACH OF THE FOUR CORNERS WITHIN BOUNDARY OF MOUNTING SLOT. CENTER MARKS (+) WITHIN EACH SLOT DEPICT ONE CENTER POSITION AND THE LIMITS FROM SIDE TO SIDE WHICH MAY BE USED AS FASTENER POSITIONS.
5. PREPARE HOLES APPROPRIATE FOR CHOSEN MOUNTING METHOD OR HARDWARE. 6.6MM THROUGH HOLES RECOMMENDED IF SUPPLIED HARDWARE IS USED.
6. IF THIS DOCUMENT IS PRINTED OR REPRODUCED, USER MUST VERIFY SCALE THROUGH MEASUREMENT OF X AND Y AXES ON SCALE CHECK PROVIDED.



4  
4X  
CENTER AND LIMIT  
HOLE LOCATIONS

APPROXIMATE OUTLINE OF  
TERMINAL UNIT BASE

DIMENSIONS IN INCHES [MILLIMETERS]

INFORMATION SUBJECT TO EXPORT CONTROL LAWS  
This document contains technology controlled  
for export by the U.S. Department of Commerce in  
accordance with the Export Administration Regulations.  
Diversion contrary to U.S. law prohibited.

Copyright © 2018, Thales Defense & Security, Inc.  
All Rights Reserved

THALES PROPRIETARY

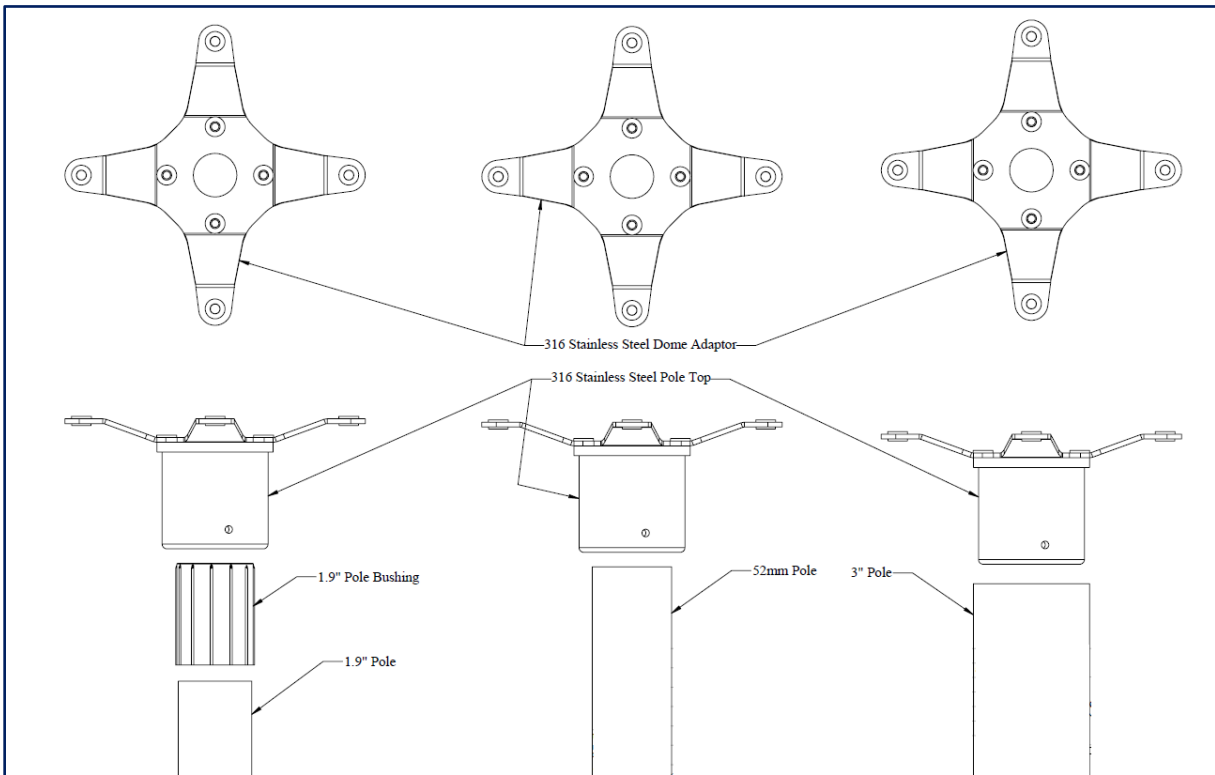
UNLESS OTHERWISE SPECIFIED: DIMENSIONS ARE IN INCHES: TOL'S ARE: FRACTIONS: DECIMALS: ±          . XX ±.01 ±          .XXX ±.005 DO NOT SCALE DRAWING		<b>THALES</b> THALES DEFENSE & SECURITY, INC. CLARKSBURG, MARYLAND 20871	
STATE: Released		TITLE: TEMPLATE TERMINAL UNIT MOUNT	
ITERATION: B.2	SIZE: C	CAGE CODE: 23386	DWG. NO.: 3900011
DRAWN: DAH	DATE: 05-05-17	SCALE: 1.000	REV: B SHEET: 1 of 1

## Appendix C      Antenna Pole Mounting (Optional)

An optional 316 stainless steel antenna mounting bracket is available.

- Antenna Pole Mount M6 (PN 85736-001)
- Antenna Pole Mount M10 (PN 85739-001)

The bracket is designed to work on standard 1.9-inch (with included bushing), 52mm and 3-inch poles (poles not included). This bracket has mounting holes that match the mounting points on the bottom of the antenna (M6 or M10).



*Figure C-1 Thales Antenna Mounting Bracket (Shown With Poles, Not Included)*

## Antenna Pole Mount using M6 Hardware

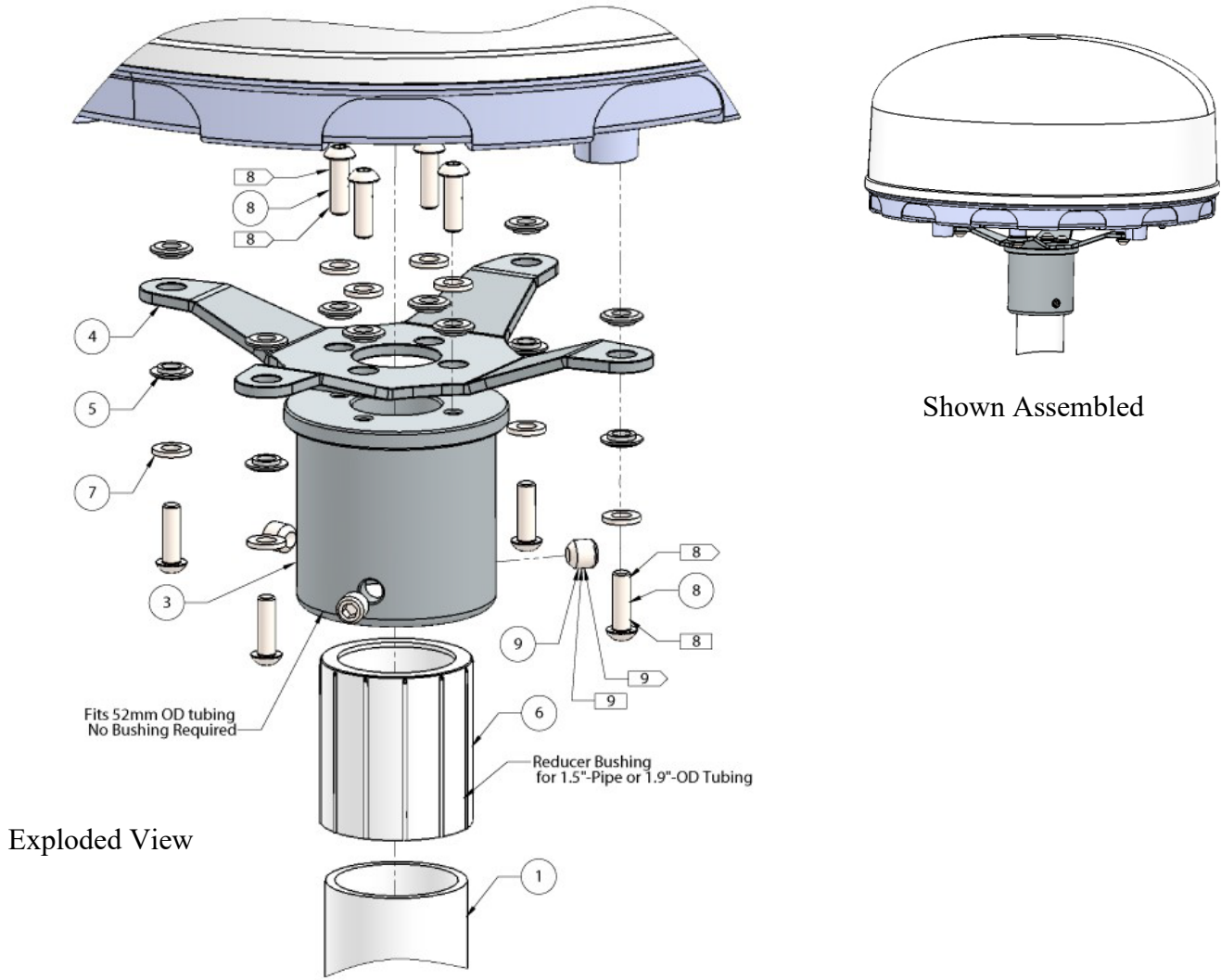


Figure C-2 Thales Antenna Pole Mount Kit – M6 (PN 85736-001)

Table C-1 Antenna Pole Mount using M6 Hardware Kit (PN 85736-001)

Item Number	Description	Qty	Comment
1	Outside Diameter 1.9" OD	1	
2	Blue Loctite	1	Apply to item 8, 9
3	S.S. Hub 52mm-ID for Metric 52mm Tube	1	
4	S. S. Bracket for Thales Antenna	1	
5	Nylon Bushing, ID.25, 24SW0250	12	
6	Plastic Reducer Bushing for 1.5"-Pipe 1.9" OD	1	
7	S. S. Washer .275 x .5 x .062	8	
8	S. S. Button Hd Bolt M6x20	8	Recommended Torque 8 Nm
9	S. S. Cup Pt Set Screw 3/8 – 16 x 3/8	3	Recommended Torque 30 Nm

## Antenna Pole Mount using M10 Hardware

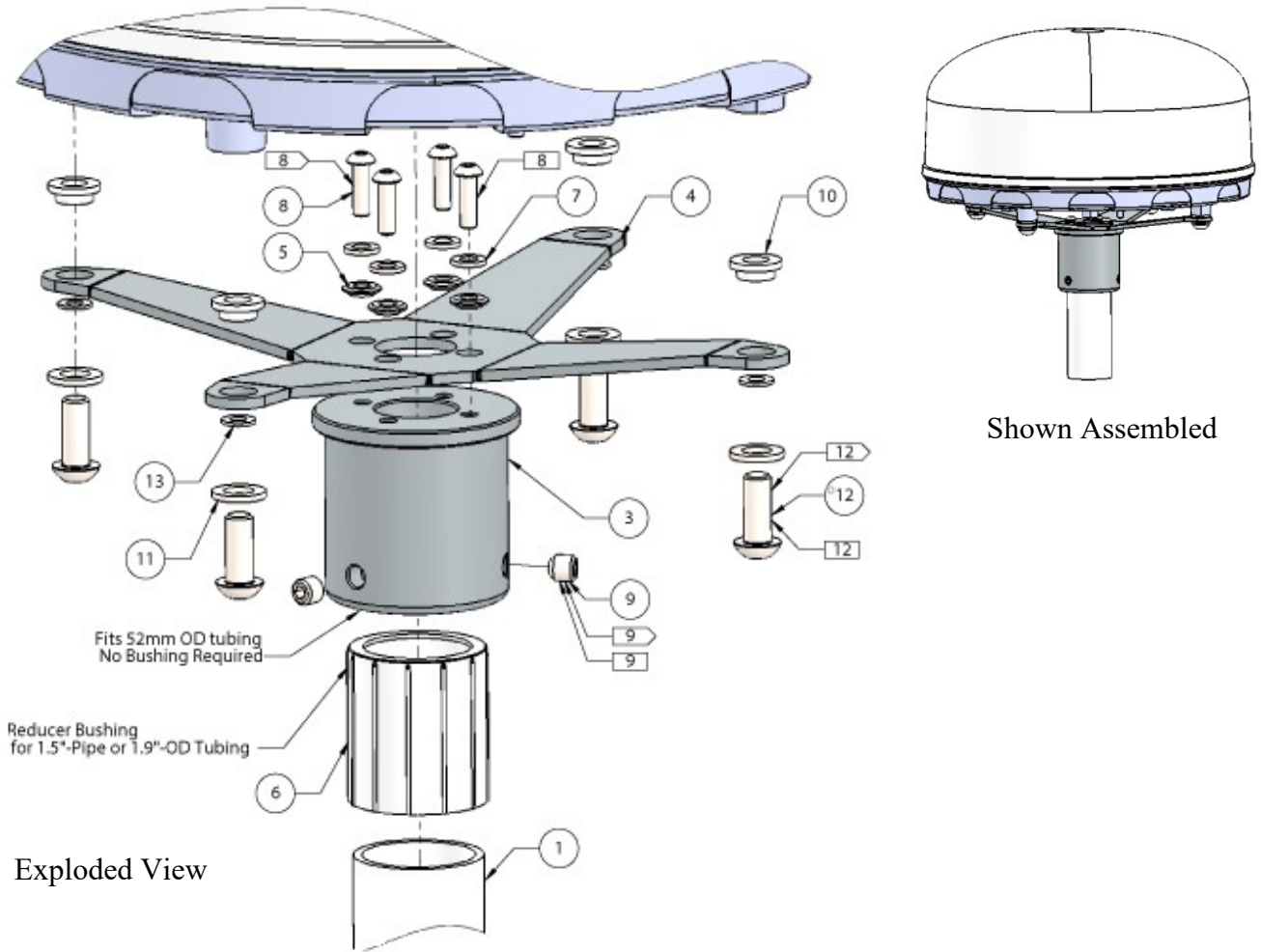


Figure C-3 Thales Antenna Pole Mount Kit – M10 (PN 85739-001)

Table C-2 Antenna Pole Mount using M10 Hardware Kit (PN 85739-001)

Item Number	Description	Qty	Comment
1	Outside Diameter 1.9" OD	1	
2	Blue Loctite	1	Apply to item 8, 9, 12
3	S.S. Hub 52mm-ID fo Metric 52mm Tube	1	
4	S. S. Bracket for Thales Antenna	1	
5	Nylon Bushing, ID.25, 24SW0250	4	
6	Plastic Reducer Bushing for 1.5"-Pipe 1.9" OD	1	
7	S. S. Washer .25"	4	
8	S. S. Button Hd Bolt M6x20	4	Recommended Torque 6 Nm
9	S. S. Cup Pt Set Screw 3/8 – 16 x 3/8	3	Recommended Torque 30 Nm
10	Nylon Bushing 10mm	4	
11	S. S. Washer	4	
12	S. S. Button Hd Bolt M10 x 25	4	Recommended Torque 28 Nm
13	Nylon Washer 10mm	4	





Thales Defense & Security, Inc.  
22605 Gateway Center Drive | Clarksburg MD 20871  
Toll-Free 1.800.324.6089 | Phone: 240.864.7000 | Fax: 240.864.7920  
Email: [Customer.Service@thalesdsi.com](mailto:Customer.Service@thalesdsi.com) | Website:  
[www.thalesdsi.com](http://www.thalesdsi.com)